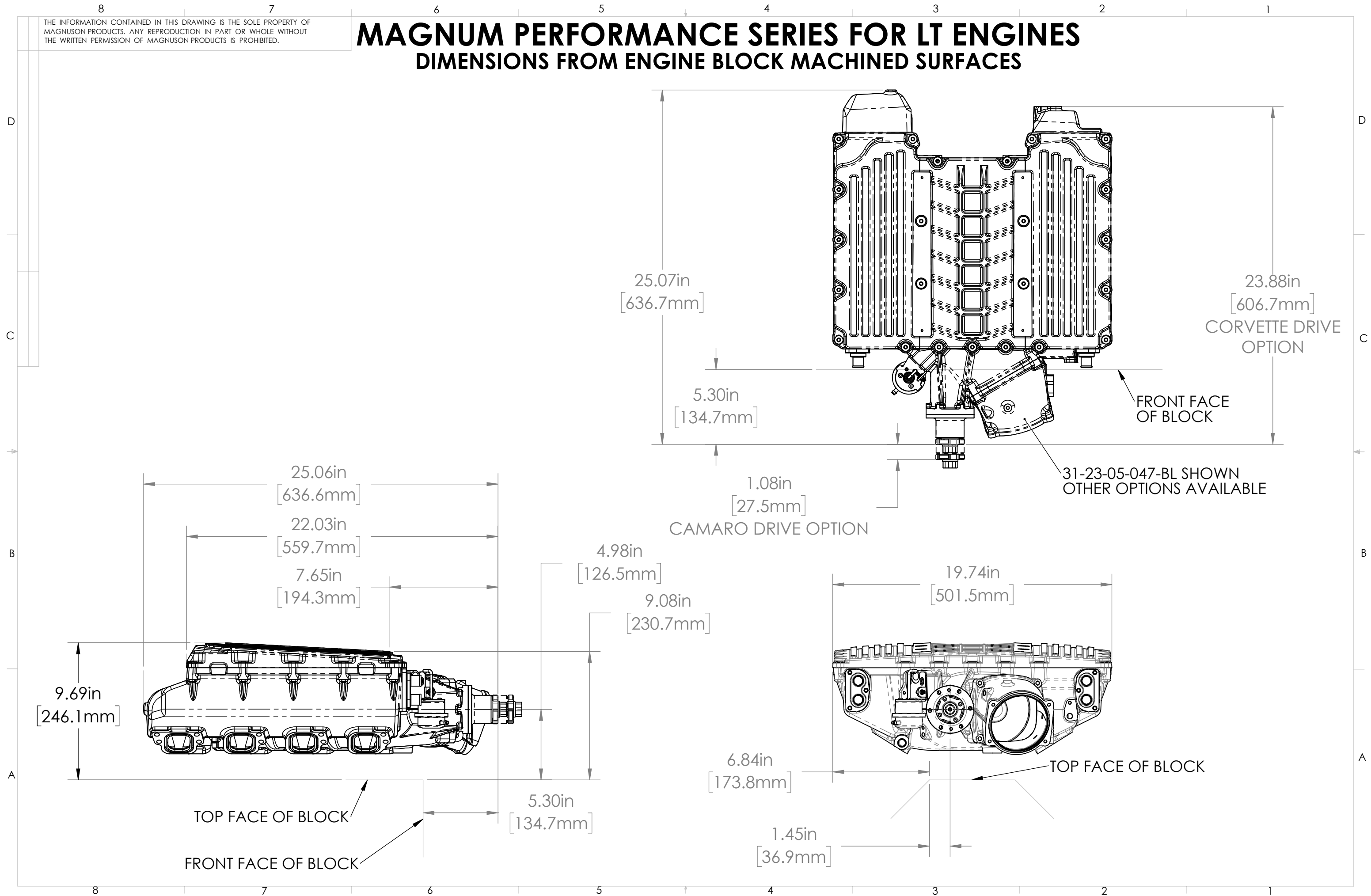


THE INFORMATION CONTAINED IN THIS DRAWING IS THE SOLE PROPERTY OF MAGNUSON PRODUCTS. ANY REPRODUCTION IN PART OR WHOLE WITHOUT THE WRITTEN PERMISSION OF MAGNUSON PRODUCTS IS PROHIBITED.

# MAGNUM PERFORMANCE SERIES FOR LT ENGINES

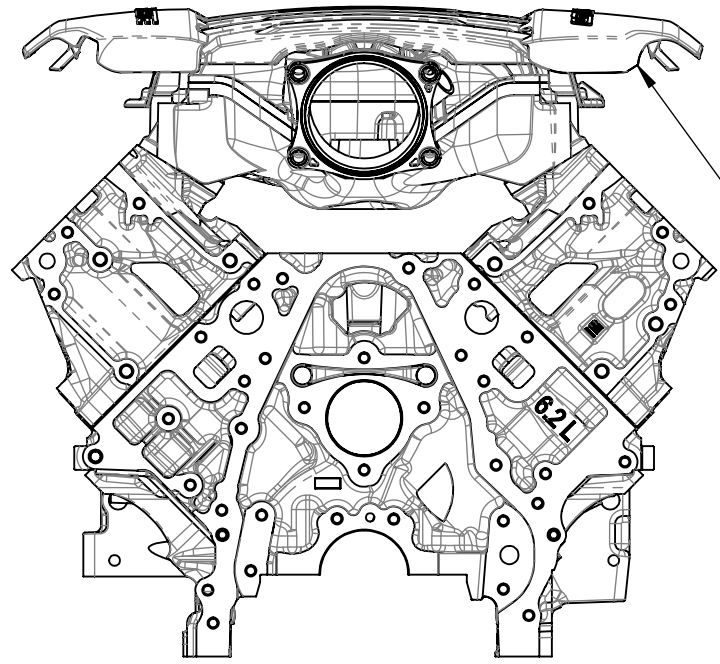
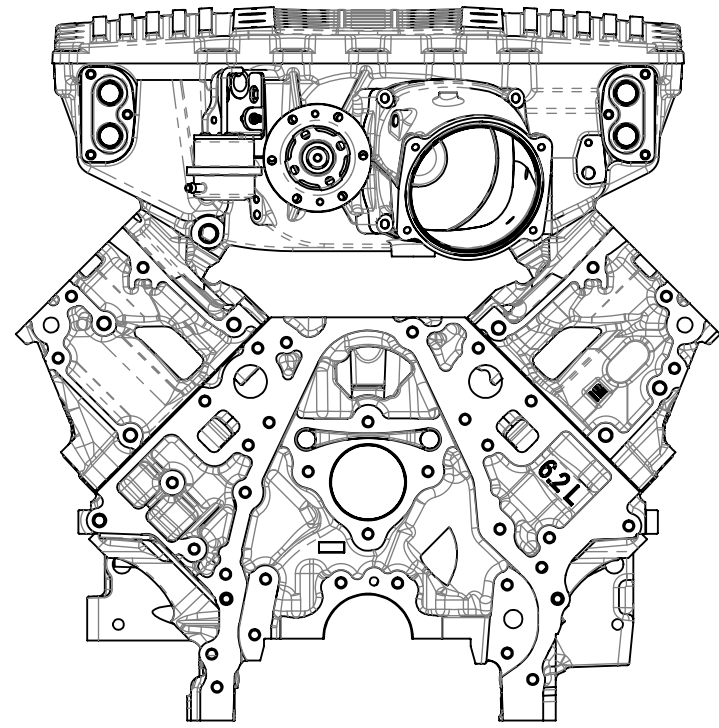
## DIMENSIONS FROM ENGINE BLOCK MACHINED SURFACES



8 7 6 5 4 3 2 1

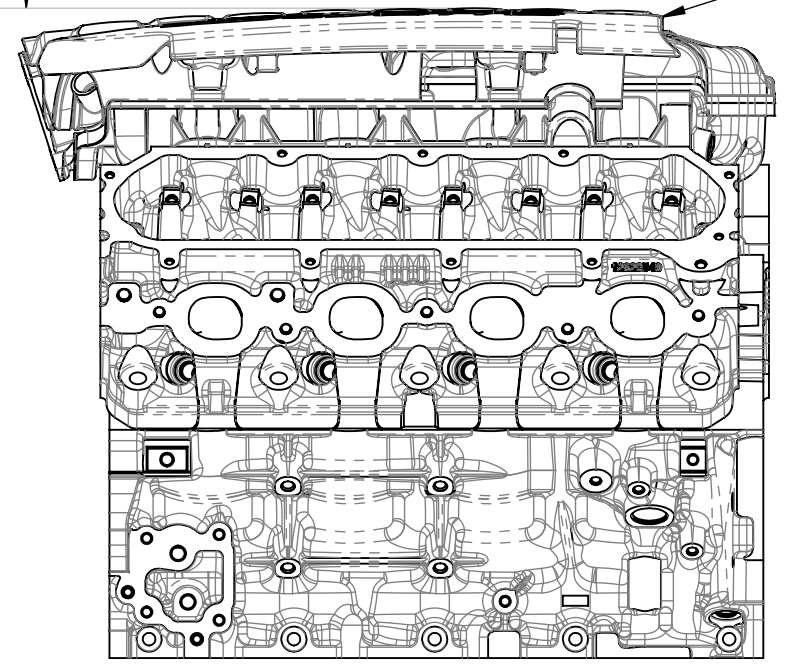
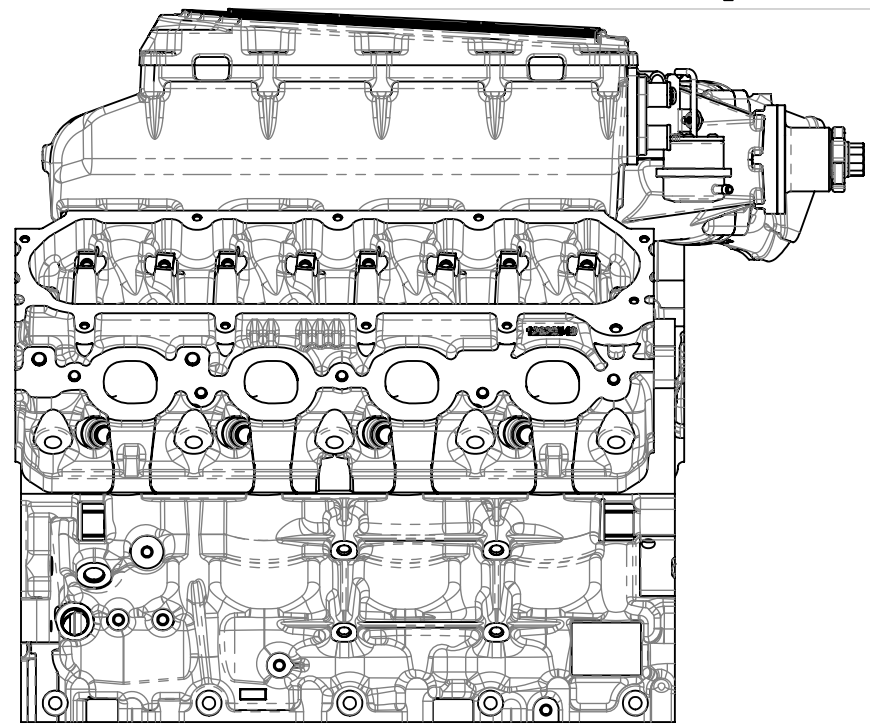
THE INFORMATION CONTAINED IN THIS DRAWING IS THE SOLE PROPERTY OF  
MAGNUSON PRODUCTS. ANY REPRODUCTION IN PART OR WHOLE WITHOUT  
THE WRITTEN PERMISSION OF MAGNUSON PRODUCTS IS PROHIBITED.

D  
C  
B  
A



STOCK LT1 INTAKE  
MANIFOLD AND  
INTAKE COVER  
SHOWN FOR  
REFERENCE

1.98in  
[50.2mm]



8 7 6 5 4 3 2 1

D  
C  
B  
A