



## 45 Degree Oil Filter Adapter Kit

**77072447**

5.7L & 6.4L Crate HEMI

[www.mopar.com](http://www.mopar.com)



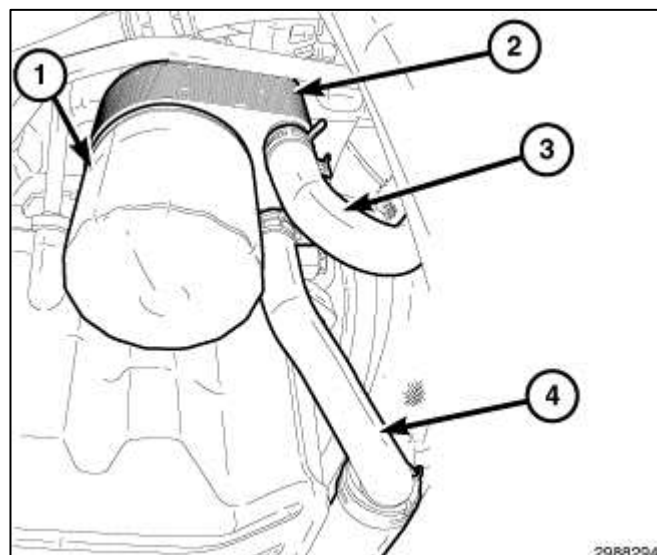
Item	Description	Part Number	Quantity
	<b>45 Degree Oil Filter Adapter Kit</b>	<b>77072447</b>	
1	Oil Filter Adapter	53021610AF	1
2	Bolts	06102041AA	3
3	Oil Filter	04892339AA	1
4	Oil Seal - Outer	53021661AA	1

PLEASE READ ALL INSTRUCTION PRIOR TO INSTALLATION.

CALL MOPAR FOR ASSISTANCE OR FOR FRENCH/SPANISH INSTRUCTIONS 1-888-528-HEMI (4364)

### 6.4L HEMI Oil Cooler Removal

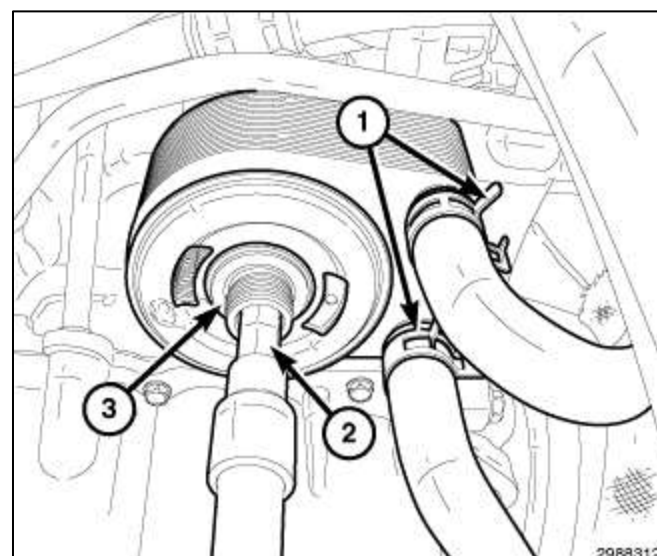
Remove the oil filter (1) from the oil cooler (2).



Remove the clamps (1) from the cooling hoses at the oil cooler and remove hoses if connected.

Cap off coolant hoses and secure hoses away from accessory belt and pulleys.

Using a 12 mm Allen Wrench socket (2), remove the oil cooler retaining bolt (3).



### 5.7L HEMI Oil Filter Connector Removal

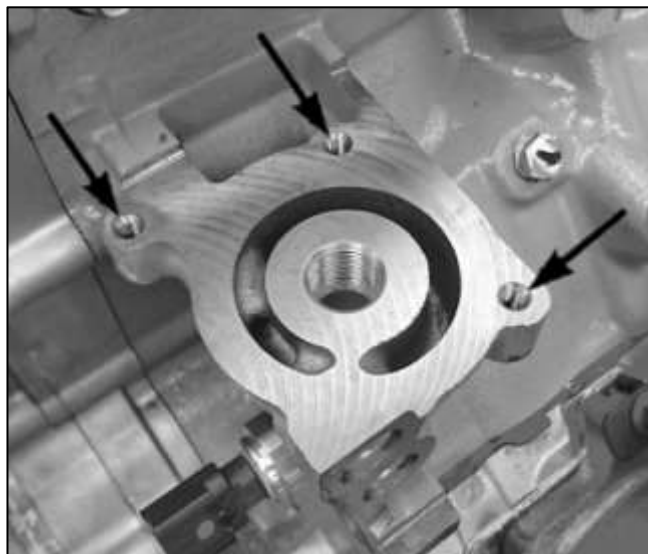
Using a 12 mm Allen Wrench socket (2), remove the oil filter connector (3).

Insert the rubber outer oil seal (2) in the groove on the oil filter adapter.

Lightly lubricate both the inner and outer oil seals with engine oil.



Install the Oil Filter Adapter to the engine block using the three bolts and tighten to 12 N·m, (9 ft·lbs).



Lightly lubricate the oil filter gasket (2) with engine oil.

Thread the oil filter (3) onto adapter nipple and when the gasket makes contact with sealing surface (1), rotate the filter 360° or one full turn, do not over tighten. Torque 14 N·m, (10 ft·lbs)

Add oil, verify crankcase oil level and start engine. Inspect for oil leaks.

