



LS3, LS376-480, & LS376-525 Performance Long Block Specifications
Specifications part number: 19420381

Thank you for choosing Chevrolet Performance as your high performance source. Chevrolet Performance is committed to providing proven, innovative performance technology that is truly.... more than just power. Chevrolet Performance are engineered, developed and tested to exceed your expectations for fit and function. Please refer to our catalog for the Chevrolet Performance Authorized Center nearest you or visit our website at www.chevroletperformance.com.

This publication provides general information on components and procedures which may be useful when installing or servicing your crate engine. Please read this entire publication before starting work.

These crate engines are assembled using brand new, premium quality components. They utilize modern technologies as fuel injection, individual ignition coil per cylinder, and electronic throttle control. Due to the wide range of small block applications, if you are retrofitting a previous small block application, you may encounter installation differences between your crate engine assemblies and the previous version. These differences may require modifications or additional components not included with the engine, including cooling, fuel, electrical, and exhaust systems.

Some fabrication work may be required.

THE LONG BLOCK ENGINE ASSEMBLY MAY BE SHIPPED WITH OR WITHOUT OIL. THE OIL LEVEL MUST BE VERIFIED BEFORE PRIMING OR STARTING. MOBIL 1 5W-30 MUST BE USED. SYSTEM CAPACITY IS 5.5 QUARTS AS SHIPPED.

The LS3 crate engines require an engine control system and harness which are available from your Chevrolet Performance dealer. Check with your dealer or on www.chevroletperformance.com for the control system packages that are currently available. Generally, the fuel system requirement is 60 psi (400 kPa) constant fuel pressure, but check the information included in your engine control system for the actual pressure requirement.

It is not the intent of these specifications to replace the comprehensive and detailed service practices explained in the GM service manuals.

For information about warranty coverage, please contact your local Chevrolet Performance dealer.

Observe all safety precautions and warnings in the service manuals when installing a crate engine in any vehicle. Wear eye protection and appropriate protective clothing. When working under or around the vehicle support it securely with jack stands. Use only the proper tools.

Exercise extreme caution when working with flammable, corrosive, and hazardous liquids and materials. Some procedures require special equipment and skills. If you do not have the appropriate training, expertise, and tools to perform any part of this conversion safely, this work should be done by a professional.

Legal and Emissions Information

This publication is intended to provide information about the crate engine and related components. This manual also describes procedures and modifications that may be useful during the installation of an LS3 crate engine. It is not intended to replace the comprehensive service manuals and parts catalogs which cover Chevrolet Performance engines and components. Rather, it is designed to provide supplemental information in areas of interest to "do-it-yourself" enthusiasts and mechanics. This publication pertains to engines and vehicles which are used off the public highways except where specifically noted otherwise. Federal law restricts the removal of any part of a federally required emission control system on motor vehicles. Further, many states have enacted laws which prohibit tampering with or modifying any required emission or noise control system. Vehicles which are not operated on public highways are generally exempt from most regulations, as are some special interest and pre-emission vehicles. The reader is strongly urged to check all applicable local and state laws. Many of the parts described or listed in this manual are merchandised for off-highway application only, and are tagged with the "Special Parts Notice" reproduced here:



Special Parts Notice

This part has been specifically designed for Off-Highway application only. Since the installation of this part may either impair your vehicle’s emission control performance or be uncertified under current Motor Vehicle Safety Standards, it should not be installed in a vehicle used on any street or highway. Additionally, any such application could adversely affect the warranty coverage of such an on-street or highway vehicle.

<u>Item</u>	<u>Description</u>	<u>Quantity</u>
1	Engine Assembly Long Block	1
2	Engine Instructions	1
3	Engine Registration	1

Component Information:

Additional service information not included in this document can be found from your Chevrolet Performance Parts dealer under the GM 2014 Chevrolet SS sedan LS3 RPO for all components. When servicing or replacing items below, use information for a GM 2014 Chevrolet SS sedan LS3 RPO.

Additional Parts That May Be Needed:

Camshaft

The LS3 Long Block crate engine uses production camshaft, P/N 12623063, which has a single bolt sprocket mounting.
The LS376-480 Long Block crate engine uses Chevrolet Performance camshaft 88958753, which has a 3-bolt sprocket mounting.
The LS376-525 Long Block crate engine uses Chevrolet Performance camshaft 88958770, which has a 3-bolt sprocket mounting.

Camshaft Sprocket and Bolts

Camshaft sprocket 12623754 and bolts 11588723 (Qty 3) are used in conjunction with the 3-bolt design.

Water Drain Plug

Verify the water drain plug located in the right (drivers) front of the block is installed.

Engine Control System

As indicated above, the LS3 Long Block crate engines require an engine control system and harness which are available from your Chevrolet Performance dealer. Check with your dealer or on www.chevroletperformance.com for the control system packages that are currently available.

Flexplate/Flywheel

The LS Long Block crate engines do not include a flexplate nor flywheel. Flexplate P/N 12654640 or flywheel 12571611 are available from your Chevrolet Performance Parts dealer. Additional kits for both automatic transmissions and manual transmissions installations include the correct flexplate or flywheel as well as all bolts, shields and necessary hardware.

Pilot Bearing

You must install a pilot bearing in the rear of the crankshaft if the engine will be used with a manual transmission. The pilot bearing aligns the transmission input shaft with the crankshaft centerline. A worn or misaligned pilot bearing can cause shifting problems and rapid clutch wear. There are two different pilot bearings for the LS crate engines. 14061685 for a long input shaft and 12557583 for a short input shaft. Verify fit prior to transmission installation or damage will occur.

Starter

The LS Long Block crate engines do not include a starter. Chevrolet Performance Parts part number 10465385 is matched to this application and is recommended. See your Chevrolet Performance Parts dealer for details.

Air Induction/Intake Manifold

The LS long block crate engines do not include an intake manifold. A correct intake manifold that matches to LS3 style rectangular ports must be used. These cylinder heads will NOT match Gen III style intake manifolds. Intake manifolds for a Gen IV truck or car can be used. Typically, most Gen IV 6.0-6.2 Liter intake manifolds use this type of rectangular intake port.

A foam or paper element, low restriction air filter/cleaner should be used to protect the engine from excessive wear. Additionally, the engine control system may have recommendations for cleaners and intake systems for best performance.



Fuel Pump

The LS Long Block engines do not include a fuel pump. Generally, the EFI system requirement is 58 psi constant pressure, but consult the information with your engine control system for the actual recommendation. The fuel pump you choose must be capable of 45 gallons per hour (GPH) @ the recommended pressure. Chevrolet Part Number 19330301 is an in-tank unit that meets these requirements but may not be adaptable for all applications. Numerous aftermarket pumps will meet these requirements as well. Chevrolet Performance offers a fuel filter/regulator part number 19239926 that will regulate to the correct fuel pressure.

Accessory Drive Brackets

Accessory Drive Kits 19418440, 19370820 and 19418442 with air conditioning or 19370821 or 19418441 without air conditioning are available from Chevrolet Performance to fit the LS Long Block crate engines. These kit contain all components and hardware necessary for installation (includes air conditioning compressor, power steering pump, and alternator). Please see your Chevrolet Performance dealer or visit us on the web at www.chevroletperformance.com.

Exhaust Manifolds

The LS Long Block crate engines do not include any exhaust manifolds. Production style exhaust manifolds, P/N 12611638 and 12611639, along with gasket P/N, 12617944 (qty 2), and bolt P/N 11518860 (qty 12) are available from your Chevrolet Performance Parts dealer. These manifolds include the production style heat shielding.

Water Pump

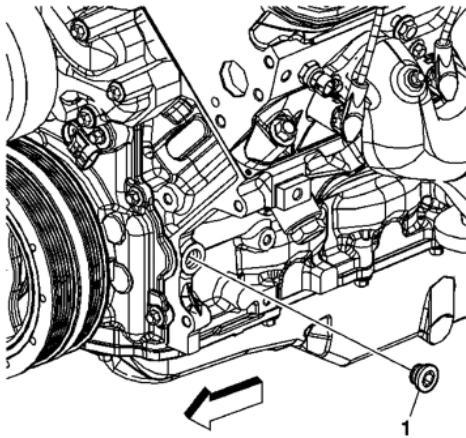
The LS Long Block crate engines do not include a water pump. Any Gen IV style water pump can be used. Included with the engines is a harmonic balancer for a "car" style water pump. If a truck style water pump is used, the harmonic balancer may need to be replaced.

Start-up and Break-in Procedures:

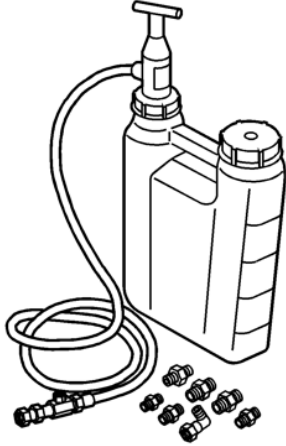
Safety first, if the vehicle is on the ground, be sure the park brake is set, the wheels are chocked, and the car cannot fall into gear. Verify everything is installed properly and nothing was missed.

1. This engine assembly is shipped without oil and must be filled with Mobil One 5W-30. After installing the engine, ensure the crankcase has been filled by verifying the level on the dipstick. Fill and verify all other necessary fluids such as coolant, power steering fluid, transmission oil, etc.
2. This engine **MUST** be primed with oil before starting. The use of Kent-Moore engine preluber kit J 45299 is the preferred process for priming.

NOTE: A constant and continuous flow of clean engine oil is required in order to properly prime the engine. Be sure to use approved engine oil, as specified.



- A. Remove the engine oil filter and fill with clean engine oil.
- B. Install the oil filter and tighten.
- C. Locate and remove the engine block left front oil gallery plug (1).
- D. Install the M16 x 1.5 adapter P/N 509375 J 45299 Engine Preluber



- E. Install the flexible hose to the adapter and open the valve.
 - F. Pump the handle on the J 45299 preluber in order to flow a minimum of 1-1.9 liters (1-2 quarts) engine oil. Observe the flow of engine oil through the flexible hose and into the engine assembly. The engine will be primed after a small amount of pressure change is seen on the in car oil pressure gauge while pumping J 45299.
 - G. Close the valve and remove the flexible hose and adapter from the engine.
 - H. Apply approved thread sealer and install the oil gallery plug to the engine and tighten to 60 N•m (44 lb ft). Top-off the engine oil tank to the proper level.
3. Start the engine and listen for any unusual noises. If no unusual noises are noted, run the engine at approximately 1000 RPM until normal operating temperature is reached.
 4. When possible, you should always allow the engine to warm up prior to driving. It is a good practice to allow the oil sump and water temperature to reach 180°F before towing heavy loads or performing hard acceleration runs.
 5. The engine should be driven at varying loads and conditions for the first 30 miles or one hour without wide open throttle (WOT) or sustained high RPM accelerations.
 6. Run five or six medium throttle (50%) accelerations to about 4000 RPM and back to idle (0% throttle) in gear.
 7. Run two or three hard throttle (WOT 100%) accelerations to about 4000 RPM and back to idle (0% throttle) in gear.
 8. Change the oil and filter. Replace the oil per the specification in step 1 and replace the filter with a new PF48 AC Delco oil filter. Inspect the oil and the oil filter for any foreign particles to ensure that the engine is functioning properly.
 9. Drive the next 500 miles (12 to 15 engine hours) under normal conditions. Do not run the engine at its maximum rated engine speed. Also, do not expose the engine to extended periods of high load.
 10. Change the oil and filter. Again, inspect the oil and oil filter for any foreign particles to ensure that the engine is functioning properly.

LS3 Engine Specifications:

Type:.....	6.2L Gen IV Small Block V8
Displacement:.....	376 cubic inches
Bore x Stroke:.....	4.065 inch x 3.622 inch
Compression:.....	10.7:1
Block:.....	Cast aluminum, six bolt cross-bolted main caps
Cylinder Head:.....	Cast aluminum rectangle port
Valve Diameter (Intake/Exhaust):.....	2.16"/1.59"
Chamber Volume:.....	68cc
Crankshaft:.....	Nodular iron, internally balanced
Connecting Rods:.....	Powdered metal
Pistons:.....	Hypereutectic aluminum
Camshaft LS style:.....	Hydraulic roller tappet



PERFORMANCE

Lift:..... 0.551 " intake, 0.522 " exhaust
 Duration:..... 202° intake, 212° exhaust @.050" tappet lift
 Centerline:..... LSA = 117°, 112° LS376/480 & 525
 Rocker Arm Ratio:..... 1.7:1
 Oil Capacity:..... 5.5-quart (with filter)
 Oil Pressure (Minimum, with hot oil)..... 6 psig @ 1000 RPM
 18 psig @ 2000 RPM
 24 psig @ 4000 RPM
 Recommended Oil:..... Mobil 1 5W30 Synthetic
 Oil Filter..... AC Delco part # PF48
 Fuel:..... Premium unleaded-92 (R+M/2)
 Maximum Engine Speed:..... 6600 RPM
 Spark Plugs:..... 12621258
 AC Delco # 41-985
 Spark Plug Gap:..... 040"
 Firing Order:..... 1-8-7-2-6-5-4-3

**LS3, LS376-480 et LS376-525 Caractéristiques techniques de bloc long Performance****Numéro de référence des caractéristiques techniques : 19420381**

Nous vous remercions d'avoir choisi Chevrolet Performance comme source de haute performance. Chevrolet Performance s'est engagée à offrir une technologie de rendement éprouvée et novatrice qui est réellement... beaucoup plus que de la puissance. Chevrolet Performance a été conçu, élaboré et mis à l'essai de manière à dépasser vos attentes de réglage précis et de fonction. Veuillez vous reporter à notre catalogue pour connaître le centre Chevrolet Performance autorisé le plus près de chez vous ou visitez notre site Web à www.chevroletperformance.com.

La présente publication offre de l'information d'ordre général sur les composants et les procédures pouvant s'avérer utile lors de l'installation ou de l'entretien du moteur en caisse. Veuillez lire en entier la présente publication avant de commencer à travailler.

L'assemblage de ces moteurs en caisse est effectué en utilisant des composants neufs de première qualité. Ils utilisent des technologies modernes, comme l'injection de carburant, une bobine d'allumage par cylindre et le papillon des gaz électronique. Compte tenu de la vaste gamme d'applications de moteurs à bloc compact, si l'on pose en après-vente une application antérieure à bloc compact, il se peut que l'on constate des différences de pose entre le moteur en caisse actuel et la version précédente. Ces différences peuvent nécessiter des modifications ou des composants supplémentaires qui ne sont pas compris avec le moteur, y compris les systèmes de refroidissement, électrique et d'échappement, ainsi que le circuit d'alimentation.

Il se peut qu'une certaine fabrication soit requise.

L'ENSEMBLE MOTEUR-BLOC LONG PEUT ÊTRE EXPÉDIÉ AVEC OU SANS HUILE. LE NIVEAU D'HUILE DOIT ÊTRE VÉRIFIÉ AVANT L'AMORÇAGE OU LE DÉMARRAGE. L'HUILE MOBIL 1 5W-30 DOIT ÊTRE UTILISÉE. LA CAPACITÉ DU SYSTÈME EST DE 5,5 PINTES À L'EXPÉDITION.

Les moteurs en caisse LS3 nécessitent un système de commande de moteur et un faisceau de câbles offerts par les concessionnaires Chevrolet Performance. Vérifier auprès de votre concessionnaire ou sur le site Web www.chevroletperformance.com pour connaître les groupes de systèmes de commande actuellement offerts. En règle générale, l'exigence relative au circuit d'alimentation est de 400 kPa (60 lb/po2) de pression constante de carburant; toutefois, il faut vérifier l'information comprise dans le système de commande du moteur pour confirmer l'exigence réelle de pression.

Ces caractéristiques techniques ne sont pas destinées à remplacer les pratiques d'entretien complètes et détaillées expliquées dans les manuels d'atelier GM.

Pour obtenir de l'information sur l'étendue de la garantie, prière de communiquer avec le concessionnaire Chevrolet Performance local.

Observer toutes les précautions et tous les avertissements en matière de sécurité présentés dans les manuels de réparation au moment de poser un moteur en caisse dans n'importe quel véhicule. Porter un protecteur pour la vue et des vêtements de protection appropriés. Lorsqu'on travaille sous un véhicule ou autour de celui-ci, le soutenir solidement à l'aide de chandelles. Utiliser seulement les outils appropriés.

Faire preuve d'extrême prudence lors de travaux avec des liquides ou des matériaux inflammables, corrosifs ou dangereux. Certaines procédures nécessitent l'utilisation d'un équipement spécial et des habiletés particulières. Si vous ne possédez pas la formation, l'expertise et les outils nécessaires pour effectuer toute partie de cette conversion en toute sécurité, ce travail devrait être réalisé par un professionnel.

Information juridique et relative aux émissions

La présente publication a pour objet d'offrir des renseignements sur le moteur en caisse et les composants connexes. Ce guide décrit également les procédures et les modifications pouvant s'avérer utiles lors de l'installation d'un moteur en caisse LS3. Ces renseignements ne sont pas destinés à remplacer les manuels de réparation complets et les catalogues de pièces en matière de moteurs et de composants de Chevrolet Performance. Plutôt, cette publication a été conçue pour offrir des renseignements supplémentaires sur les matières pouvant intéresser les « bricoleurs » et les mécaniciens. Cette publication s'applique aux moteurs et aux véhicules qui sont utilisés hors des voies publiques, sauf indication contraire expresse. Les règlements fédéraux restreignent la dépose des véhicules automobiles de toute partie d'un système antipollution exigé par la loi fédérale. En outre, de nombreux États ont établi des lois qui interdisent le traficage ou la modification de tout système antipollution ou antibruit exigé par la loi. En règle générale, les véhicules qui ne roulent pas sur les voies publiques, tout comme certains véhicules d'intérêt spécial et pré-émissions, sont exempts de la plupart de la réglementation. On suggère fortement au lecteur de consulter tous les règlements municipaux et provinciaux applicables. Plusieurs des pièces qui sont décrites ou énumérées dans le présent manuel sont commercialisées pour des application hors route seulement et elles portent l'étiquette « Avis sur les pièces spéciales » (Special Parts Notice) qui est reproduite ici.

**Avis sur les pièces spéciales**

Cette pièce a été conçue spécifiquement pour une application hors route seulement. Puisque la pose de cette pièce pourrait nuire au rendement antipollution du véhicule ou donner lieu à son manque d'homologation en vertu des normes de sécurité actuelles des véhicules automobiles, celle-ci ne doit pas être posée dans un véhicule qui sera utilisé sur une voie publique ou une autoroute. En outre, une telle application pourrait donner lieu à l'annulation de la garantie d'un tel véhicule sur route ou autoroute.

<u>Article</u>	<u>Description</u>	<u>Quantité</u>
1	Bloc long d'ensemble moteur	1
2	Instructions relatives au moteur	1
3	Enregistrement du moteur	1

Renseignements sur les composants :

Le concessionnaire de Chevrolet Performance Parts peut retrouver des renseignements techniques supplémentaires qui ne figurent pas dans le présent document sous l'EFC LS3 de la berline Chevrolet SS 2014 de GM, et ce, pour tous les composants. Lors de l'entretien ou du remplacement des éléments ci-dessous, utiliser l'information fournie pour l'EFC LS3 de la berline Chevrolet SS 2014 de GM.

Pièces supplémentaires pouvant être requises :**Arbre à cames**

Le moteur en caisse à bloc long LS3 utilise un arbre à cames de série, N/P 12623063, qui a un montage de pignon à un seul boulon.

Le moteur en caisse à bloc long LS376-480 est muni d'un arbre à cames 88958753 de Chevrolet Performance, qui comporte un montage de pignon à 3 boulons.

Le moteur en caisse à bloc long LS376-525 est muni d'un arbre à cames 88958770 de Chevrolet Performance, qui comporte un montage de pignon à 3 boulons.

Pignon d'arbre à cames et boulons

Le pignon d'arbre à cames 12623754 et les boulons 11588723 (Qté 3) sont utilisés conjointement avec le modèle à 3 boulons.

Bouchon de purge d'eau

Vérifier que le bouchon de purge d'eau situé à l'avant droite du bloc (côté conducteur) est installé.

Système de commande du moteur

Comme indiqué ci-dessus, les moteurs en caisse à bloc long LS3 nécessitent un système de commande de moteur et un faisceau de câbles, disponibles auprès de votre concessionnaire Chevrolet Performance. Vérifier auprès de votre concessionnaire ou sur le site Web www.chevroletperformance.com pour connaître les groupes de systèmes de commande actuellement offerts.

Tôle d'entraînement/volant-moteur

Les moteurs en caisse à bloc long LS ne possèdent pas de plateau d'entraînement flexible ni de volant moteur. La tôle d'entraînement N/P 12654640 ou le volant moteur N/P 12571611 est vendu par le concessionnaire Chevrolet Performance Parts. Les nécessaires supplémentaires pour les boîtes de vitesses automatiques et les boîtes de vitesses manuelles comprennent la tôle d'entraînement ou le volant moteur approprié, de même que les boulons, les boucliers et la quincaillerie requise.

Roulement-guide

On doit installer un roulement-guide derrière le vilebrequin si l'on prévoit utiliser le moteur conjointement avec une boîte manuelle. Le roulement-guide aligne l'arbre primaire de la boîte de vitesses avec l'axe central du vilebrequin. Un roulement-guide usé ou désaligné peut provoquer des anomalies de changement de vitesse et une usure rapide de l'embrayage. Il existe deux paliers pilotes différents pour les moteurs en caisse LS. 14061685 pour un arbre d'entrée long et 12557583 pour un arbre d'entrée court. Vérifier l'ajustement avant l'installation de la boîte de vitesses, sinon un dommage se produira.

Démarrreur

Les moteurs en caisse à bloc long LS ne possèdent pas de démarreur. Le numéro de pièce Chevrolet Performance Parts 10465385 correspond à cette application et est recommandé. Prière de consulter son concessionnaire Chevrolet Performance Parts pour obtenir les détails.

**Tubulure d'induction/admission d'air**

Les moteurs en caisse à bloc long LS ne possèdent pas de tubulure d'admission. Une tubulure d'admission correcte qui correspond aux ports rectangulaires de style LS3 doit être utilisée. Ces culasses ne correspondront PAS aux tubulures d'admission de style Gen III. Des tubulures d'admission pour camion Gen IV ou pour voiture peuvent être utilisées. Généralement, la plupart des tubulures d'admission 6,0-6,2 litres Gen IV utilisent ce type de port d'admission rectangulaire.

Un filtre à air à faible restriction et à élément en mousse ou en papier devrait être utilisé pour protéger le moteur contre l'usure excessive. En outre, des filtres et des systèmes d'admission peuvent être recommandés pour le système de commande du moteur pour des performances optimales.

Pompe à carburant

Les moteurs à bloc long LS ne possèdent pas de pompe à carburant. En règle générale, l'exigence du système d'injection multipoint est de 58 lb/po² de pression constante ; toutefois, vérifiez l'information sur le système de commande du moteur pour prendre connaissance des recommandations afférentes. La pompe de carburant choisie doit avoir une capacité de 45 gallons par heure (gal/h) à la pression recommandée. Le numéro de pièces Chevrolet 19330301 est une pompe dans le réservoir qui répond à ces exigences mais qui ne convient pas à toutes les applications.

De nombreuses pompes de rechange sont également conformes à ces exigences. Chevrolet Performance offre un filtre à carburant / régulateur numéro de pièce 19239926 qui régule la bonne pression de carburant.

Supports d'entraînement des accessoires

Des nécessaires d'entraînement accessoires 19418440, 19370820 et 19418442 avec climatisation, 19370821 ou 19418441 sans climatisation sont disponibles auprès de Chevrolet Performance pour être adaptés aux moteurs en caisse à bloc long LS. Ce nécessaire comprend toute la quincaillerie et tous les composants nécessaires à la pose (y compris le compresseur de climatiser, la pompe de direction assistée et l'alternateur).

Veillez visiter le concessionnaire Chevrolet Performance ou visiter le site Web à l'adresse www.chevroletperformance.com.

Tubulures d'échappement

Les moteurs en caisse à bloc long LS ne possèdent pas de tubulure d'échappement. Les tubulures d'échappement de type production (N/P 12611638 et 12611639), le joint (N/P 12617944 [qté 2]) et le boulon (N/P 11518860 [qté 12]) sont vendus par le concessionnaire Chevrolet Performance Parts. Ces tubulures comprennent les boucliers thermiques de type production.

Pompe à eau

Les moteurs en caisse à bloc long LS ne possèdent pas de pompe à eau. Une pompe à eau quelconque de style Gen IV peut être utilisée.

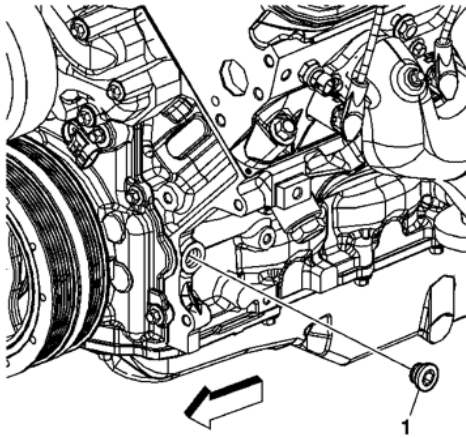
Un amortisseur de vibrations est fourni avec les moteurs pour une pompe à eau pour « voiture ». Si une pompe à eau pour camion est utilisée, l'amortisseur de vibrations peut devoir être remplacé.

Procédures de démarrage et de rodage :

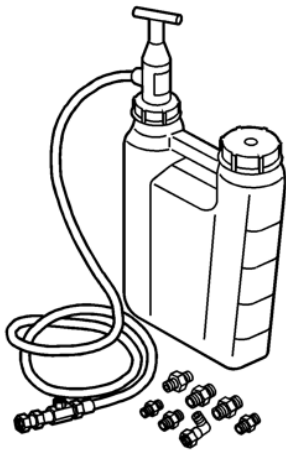
La sécurité d'abord. Si le véhicule est sur le sol, s'assurer que le frein de stationnement est engagé, que les roues sont calées et que le véhicule ne peut s'engager dans un rapport. Vérifier si tout est installé adéquatement et que rien ne manque.

1. Cet ensemble moteur est expédié sans huile et doit être rempli avec de l'huile Mobil One 5W-30. Une fois le moteur installé, s'assurer que le carter moteur est rempli d'huile en vérifiant le niveau sur la jauge graduée. Remplir et vérifier tous les autres liquides nécessaires, comme le liquide de refroidissement, le liquide de servodirection, liquide de transmission, etc.
2. Ce moteur DOIT être amorcé avec de l'huile avant le démarrage. L'utilisation de la trousse de pré-lubrificateur de moteur Kent-More J 45299 constitue le processus d'amorçage privilégié.

REMARQUE : Pour amorcer correctement le moteur, il faut un débit régulier et continu d'huile moteur propre. S'assurer d'utiliser une huile moteur approuvée, comme il est indiqué.



- A. Déposer le filtre à huile du moteur et le remplir d'huile moteur propre.
- B. Poser le filtre à huile et serrer.
- C. Repérer et déposer le bouchon de galerie de graissage avant gauche du bloc-moteur (1).
- D. Poser l'adaptateur M16 x 1,5 N/P 509375 J 45299 de pré-graisseur du moteur.



- E. Poser le tuyau souple sur l'adaptateur et ouvrir la soupape.
 - F. Pomper la poignée sur le pré-lubrificateur J 45299, afin d'obtenir un débit minimum de 1 à 1,9 litre (1 à 2 pintes) d'huile moteur. Observer le débit de l'huile moteur par le tuyau souple et dans l'ensemble de moteur. Le moteur sera amorcé après qu'on ait constaté un petit changement dans la quantité de pression dans la jauge de pression d'huile pendant le pompage du J 45299.
 - G. Fermer la soupape et déposer le tuyau souple et l'adaptateur du moteur.
 - H. Appliquer du produit d'étanchéité pour filetage approuvé et poser le bouchon de canalisation de graissage sur le moteur, puis serrer à **60 N•m (44 lb pi)**. Ajouter de l'huile moteur dans le réservoir jusqu'au bon niveau.
3. Démarrer le moteur et écouter afin de déceler la présence de bruits inhabituels. Si aucun bruit inhabituel n'est remarqué, laisser tourner le moteur à environ 1 000 tr/min jusqu'à ce qu'il atteigne sa température de fonctionnement normale.
 4. Lorsque cela est possible, vous devriez toujours permettre au moteur de se réchauffer avant de conduire. Une bonne pratique est de permettre à la température du carter d'huile et de l'eau d'atteindre 180°F avant de tirer de lourdes charges ou de faire des courses à accélération brusque.
 5. Le moteur devrait être entraîné à différentes charges et dans différentes conditions les 30 premiers milles ou pendant une heure sans être au régime maximal (WOT) ou sans subir d'accélération brusques du nombre de tours par minute.
 6. Effectuer cinq ou six accélérations à gaz moyens (50 %) jusqu'à environ 4 000 tr/min puis retourner à la marche au ralenti (0 % des gaz) en prise.



7. Effectuer deux ou trois accélérations dures (pleins gaz à 100 %) jusqu'à environ 4 000 tr/min puis retourner à la marche au ralenti (0 % des gaz) en prise.
8. Vidanger l'huile et remplacer le filtre. Vidanger l'huile en suivant les caractéristiques techniques présentées à l'étape 1 et remplacer le filtre avec un nouveau filtre à huile PF48 AC Delco. Vérifier l'huile et le filtre à huile afin de repérer toute particule étrangère pour s'assurer que le moteur fonctionne correctement.
9. Conduire la prochaine distance de 500 milles (de 12 à 15 heures moteur) dans des conditions normales. Ne pas faire tourner le moteur à sa vitesse nominale maximale. De plus, ne pas exposer le moteur à des périodes prolongées de charge élevée.
10. Vidanger l'huile et remplacer le filtre. Vérifier l'huile et le filtre à huile de nouveau afin de repérer toute particule étrangère pour s'assurer que le moteur fonctionne correctement.

Caractéristiques techniques du moteur LS3 :

Type :	Gen IV V8 de 6,2 L à bloc compact
Cylindrée :	376 pouces cubes
Alésage x course :	4,065 pouces x 3,622 pouces
Compression :	10.7:1
Bloc :	Aluminium moulé, six boulons fixés latéralement aux chapeaux principaux
Culasse :	Orifice rectangulaire en aluminium moulé
Diamètre des soupapes (admission et échappement) :	2,16 po/1,59 po
Volume de chambre :	68 cc
Vilebrequin :	Fer nodulaire, à équilibrage interne
Bielles :	Métal en poudre
Pistons :	Aluminium hypereutectique
Arbre à cames de style LS :	Poussoir à galet hydraulique
Levée :	0,551 po admission, 0,522 po échappement
Durée :	Admission 202°, échappement 212° à levée de poussoir de 0,050 po
Ligne médiane :	LSA = 117°, 112° LS376/480 et 525
Rapport des culbuteurs :	1.7:1
Capacité d'huile :	5,5 pintes (avec filtre)
Pression d'huile (minimale, avec huile chaude) :	6 psig à 1 000 tr/min
.....	18 psig à 2 000 tr/min
.....	24 psig à 4 000 tr/min
Huile recommandée :	Mobil 1 5W30 Synthétique
Filtre à l'huile :	AC Delco n° PF48
Carburant :	Supercarburant sans plomb - 92 (R+M/2)
Régime maximal du moteur :	6 600 tr/min
Bougies d'allumage :	12621258
.....	AC Delco n° 41-985
Écartement des électrodes :	040 po
Ordre d'allumage :	1-8-7-2-6-5-4-3



Especificaciones de bloque largo de desempeño LS3, LS376-480, y LS376-525

Número de parte de especificaciones: 19420381

Gracias por elegir Chevrolet Performance como su fuente de alto desempeño. Chevrolet Performance está comprometido a proporcionar tecnología de desempeño comprobada e innovadora que en realidad... sea más que sólo potencia. Chevrolet Performance están diseñadas, desarrolladas y probadas para exceder sus expectativas de ajuste y función. Por favor consulte nuestro catálogo respecto al Centro Autorizado de Chevrolet Performance más cercano a usted o visite nuestra página en Internet www.chevroletperformance.com.

Esta publicación brinda información general sobre los componentes y procedimientos que pudieran ser útiles al instalar o dar servicio a su motor armado. Por favor lea esta publicación completa antes de comenzar el trabajo.

Estos motores armados se ensamblan utilizando componentes nuevos de primera calidad. Utilizan tecnologías modernas como inyección de combustible, bobina de ignición individual por cilindro, y control de acelerador electrónico. Debido a la amplia gama de aplicaciones de bloque pequeño, si usted está actualizando una aplicación anterior de bloque pequeño, puede encontrar diferencias de instalación entre sus conjuntos de motor armado y la versión anterior. Estas diferencias pueden requerir modificaciones o componentes adicionales no incluidos con el motor, incluyendo sistemas de enfriamiento, combustible, eléctricos y del escape.

Se puede requerir trabajo de fabricación.

EL ENSAMBLE DE MOTOR DE BLOQUE LARGO SE PUEDE ENVIAR CON O SIN ACEITE. EL NIVEL DE ACEITE SE DEBE VERIFICAR ANTES DE CEBAR O ARRANCAR. SE DEBE USAR MOBIL 1 5W-30. LA CAPACIDAD DEL SISTEMA ES 5.5 CUARTOS COMO SE ENVÍA.

Los motores armados LS3 requieren un sistema de control del motor y arnés que están disponibles con su concesionario de Chevrolet Performance. Consulte con su concesionario o en www.chevroletperformance.com respecto a los paquetes del sistema de control que están disponibles actualmente. En general, el requerimiento del sistema de combustible es de una presión constante de combustible de 60 psi (400 kPa), pero revise la información que viene incluida con su sistema de control del motor para conocer el requerimiento de presión real.

No se pretende que estas especificaciones reemplace las prácticas de servicio completas y detalladas explicadas en los manuales de servicio GM.

Para información sobre cobertura de la garantía, por favor póngase en contacto con su concesionario local de Chevrolet Performance.

Observe todas las precauciones de seguridad y advertencias de los manuales de servicio durante la instalación de un motor armado en cualquier vehículo. Utilice protección para los ojos y ropa de protección adecuada. Cuando trabaje debajo o alrededor del vehículo, apóyelo firmemente con soportes de gato. Sólo use las herramientas adecuadas.

Tenga mucha precaución cuando trabaje con líquidos y materiales inflamables, corrosivos y peligrosos. Algunos procedimientos requieren equipo y habilidades especiales. Si no tiene la capacitación, experiencia, y herramientas apropiadas para realizar cualquier parte de esta conversión con seguridad, este trabajo debe ser realizado por un profesional.

Información legal y sobre emisiones

Esta publicación ha sido diseñada para proporcionar información acerca del motor armado y componentes relacionados. Este manual también describe procedimientos y modificaciones que pudieran ser útiles durante la instalación de un motor armado LS3. No está diseñada para sustituir a los exhaustivos manuales de servicio y catálogos de partes que cubren los motores y componentes Chevrolet Performance. Más bien, está diseñada para brindar información complementaria en áreas de interés para los entusiastas del "hágalo usted mismo" y los mecánicos. Esta publicación concierne a motores y vehículos que se utilizan fuera de las carreteras públicas, excepto cuando se indica específicamente lo contrario. La ley federal restringe el retiro de cualquier parte de un sistema de control de emisiones requerido por orden federal de los vehículos de motor. Más aún, muchos estados han promulgado leyes que prohíben alterar o modificar cualquier sistema de control de emisiones o ruidos. Los vehículos que no son operados en carreteras públicas generalmente están exentos de la mayoría de las normas, al igual que algunos vehículos de interés especial y pre-emisiones. Se le exhorta atentamente al lector verificar todas las leyes locales y estatales aplicables. Muchas de las partes descritas o indicadas en este manual se comercializan para su aplicación fuera de carretera únicamente, y están etiquetadas con el "Aviso sobre Partes Especiales" que se reproduce aquí:

**Aviso sobre partes especiales**

Esta parte ha sido diseñada específicamente para aplicación fuera de carretera únicamente. Debido que la instalación de esta parte puede afectar el desempeño del control de emisiones de su vehículo o dejarlo fuera de certificación según los Estándares de seguridad de vehículos de motor, no se debe instalar en un vehículo que se utilice en cualquier calle o carretera. Adicionalmente, cualquier aplicación tal puede afectar adversamente la cobertura de la garantía de tales vehículos para aplicación en calles o carreteras.

<u>Ítem</u>	<u>Descripción</u>	<u>Cantidad</u>
1	Ensamble de motor de bloque largo	1
2	Instrucciones para el motor	1
3	Registro de motor	1

Información sobre los componentes:

Se puede encontrar información adicional de servicio no incluida en este documento con su concesionario Chevrolet Performance Parts bajo el vehículo GM Chevrolet SS sedán 2014, RPO LS3 para todos los componentes. Cuando dé servicio o reemplace los elementos siguientes, use la información para un vehículo GM Chevrolet SS sedán 2014 RPO LS3.

Partes adicionales que se pueden necesitar:**Árbol de levas**

El motor armado de Bloque largo LS3 usa el árbol de levas de producción, No. de parte 12623063, que tiene un montaje de rueda dentada de perno sencillo.

El motor armado de Bloque largo LS376-480 utiliza el árbol de levas 88958753 de Chevrolet Performance, que tiene un montaje de rueda dentada de 3 pernos

El motor armado de Bloque largo LS376-525 utiliza el árbol de levas 88958770 de Chevrolet Performance, que tiene un montaje de rueda dentada de 3 pernos

Rueda dentada del árbol de levas y pernos

La rueda dentada del árbol de levas 12623754 y los pernos 11588723 (Cant 3) se usan en conjunto con el diseño de 3 pernos.

Tapón de drenaje de agua

Verifique que el tapón de drenaje de agua ubicado en la parte delantera derecha (conductor) del bloque esté instalado.

Sistema de control del motor

Como se indica anteriormente, los motores armados de Bloque largo LS3 requieren un sistema de control del motor y arnés que están disponibles con su concesionario de Chevrolet Performance. Consulte con su concesionario o en www.chevroletperformance.com respecto a los paquetes del sistema de control que están disponibles actualmente.

Placa flexible/volante

Los motores armados de Bloque largo LS no incluyen una placa flexible o volante de inercia. La placa flexible No. de parte 12654640 o el volante de inercia 12571611 están disponibles a partir de su concesionario Chevrolet Performance Parts. Juegos adicionales para instalaciones de transmisión automática y transmisión manual incluyen la placa flexible o el volante de inercia correctos así como todos los pernos, protecciones y hardware necesario.

Cojinete piloto

Debe instalar un cojinete piloto en la parte trasera del cigüeñal si el motor se va a usar con una transmisión manual. El cojinete piloto alinea el eje de entrada de la transmisión con la línea central del cigüeñal. Un cojinete piloto gastado o mal alineado puede causar problemas con los cambios y un desgaste rápido del embrague. Hay dos diferentes cojinetes piloto para los motores armados LS. 14061685 para un eje de entrada largo y 12557583 para un eje de entrada corto. Verifique el ajuste antes de la instalación de la transmisión u ocurrirá daño.

Arrancador

Los motores armados de Bloque largo LS no incluyen un motor de arranque. El número de parte 10465385 de Chevrolet Performance Parts es compatible con esta aplicación y es recomendado. Consulte a su concesionario de Chevrolet Performance Parts para mayores detalles.

Inducción de aire/Múltiple de admisión

Los motores armados de bloque largo LS no incluyen un múltiple de admisión. Se debe usar un múltiple de admisión correcto que corresponda a los puertos rectangulares estilo LS3. Estas culatas de cilindro NO coinciden con los múltiples de admisión estilo Gen III. Se pueden usar múltiples de admisión para una camioneta o vehículo Gen IV. Por lo general, la mayoría de los múltiples de admisión de 6.0-6.2 litros Generación IV usan este tipo de puerto de admisión rectangular.

Para proteger el motor del desgaste excesivo se debe usar un filtro/depurador de aire de baja obstrucción con elemento de espuma o papel. Adicionalmente, el sistema de control del motor puede tener recomendaciones relativas a los depuradores y sistemas de admisión para un mejor desempeño.

Bomba de combustible

Los motores de Bloque largo LS no incluyen una bomba de combustible. Generalmente el requerimiento del sistema de inyección electrónica de combustible (EFI) es de 58 psi de presión constante, pero consulte la información de su sistema de control del motor para obtener la recomendación real. La bomba de combustible que seleccione debe ser capaz de 45 galones por hora (GPH) a la presión recomendada. El Número de parte Chevrolet 19330301 es una unidad dentro del tanque que cumple con estos requerimientos pero tal vez no se adapte a todas las aplicaciones. Hay numerosas bombas en el mercado comercial que cumplen con estos requerimientos también. Chevrolet Performance ofrece un filtro/regulador de combustible número de parte 19239926 que regulará la presión correcta de combustible.

Soportes de transmisión accesoria

Los Juegos de transmisión auxiliar 19418440, 19370820 y 19418442 con aire acondicionado o 19370821 o 19418441 sin aire acondicionado están disponibles a partir de Chevrolet Performance para instalarse en los motores armados de Bloque largo LS. Estos juegos contienen todos los componentes y hardware necesarios para la instalación (incluye compresor de aire acondicionado, bomba de dirección hidráulica y alternador). Por favor consulte a su concesionario Chevrolet Performance o visítenos en Internet en www.chevroletperformance.com.

Múltiples de escape

Los motores armados de Bloque largo LS no incluyen múltiples de escape. Los múltiples de escape de estilo de producción, No. de parte 12611638 y 12611639, junto con el empaque No. de parte 12617944 (cant. 2), y el perno No. de parte 11518860 (cant. 12) están disponibles a través de su concesionario Chevrolet Performance Parts. Estos múltiples incluyen la protección de calor de estilo de producción.

Bomba de agua

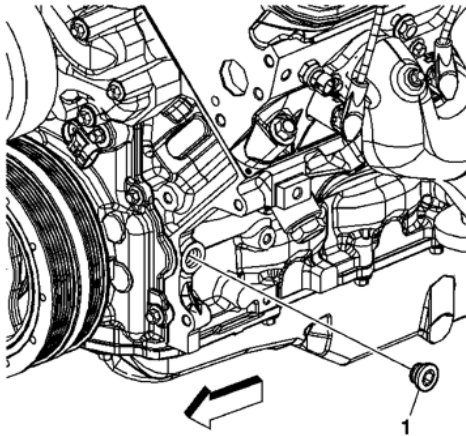
Los motores armados de Bloque largo LS no incluyen una bomba de agua. Se puede usar cualquier bomba de agua Gen IV. Un balanceador armónico se incluye con los motores para una bomba de agua estilo "vehículo". Si se usa una bomba de agua estilo camioneta, el balanceador armónico se puede necesitar reemplazar.

Procedimientos de arranque y de asentamiento:

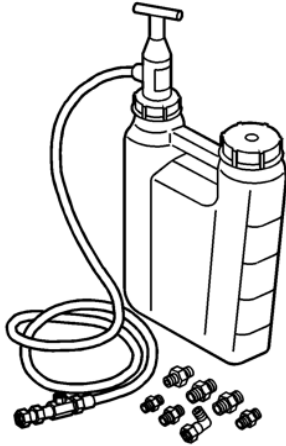
La seguridad es primero, si el vehículo está en el suelo, asegúrese de poner el freno de emergencia, y que las ruedas y la transmisión estén bloqueadas. Verifique que todo esté instalado correctamente y que no falte nada.

1. El ensamble de motor se envía sin aceite y se debe llenar con Mobil One 5W-30. Después de instalar el motor, asegúrese que se haya llenado el cigüeñal verificando el nivel en la varilla de medición. Llene y verifique todos los demás fluidos necesarios como refrigerante, fluido de dirección hidráulica, aceite de transmisión, etc.
2. Se DEBE aplicar una capa de aceite a este motor antes de arrancar. El uso del juego de pre-lubricación de motor Kent-Moore J 45299 es el proceso preferido para la aplicación de capa de aceite.

NOTA: Se requiere un flujo constante y continuo de aceite de motor para cebar adecuadamente el motor. Asegúrese de usar aceite de motor aprobado, como se especifica.



- A. Retire el filtro de aceite del motor, y llene con aceite de motor limpio.
- B. Instale el filtro de aceite y apriete.
- C. Ubique y retire el tapón de la galería de aceite delantero izquierdo del bloque del motor (1).
- D. Instale el adaptador M16 x 1.5 No. de parte 509375 de Pre-lubricador de motor J 45299.



E. Instale la manguera flexible al adaptador y abra la válvula.

F. Bombee la manija del pre-lubricador J 45299 para que fluya un mínimo de 1-1.9 litros (1-2 cuartos) de aceite de motor. Observe el flujo del aceite de motor a través de la manguera flexible y en el ensamble del motor. El motor se lubricará después de que se observe una pequeña cantidad de cambio de presión en el manómetro de aceite del vehículo mientras se bombea el J 45299.

G. Cierre la válvula y retire la manguera flexible y el adaptador del motor.

H. Aplique sellador de rosca aprobado e instale el tapón de la galería de aceite al motor y apriete a **60 Nm (44 lbs pie)**. Rellene el tanque de aceite del motor al nivel adecuado.

3. Arranque el motor y escuche si percibe ruidos inusuales. Si no oye ruidos inusuales, acelere el motor a aproximadamente 1,000 RPM hasta alcanzar una temperatura de operación normal.
4. Cuando sea posible, siempre debe permitir que el motor se caliente antes de empezar a conducir. Es una buena práctica dejar que la temperatura del cárter del aceite y del agua llegue a 180°F antes de levantar cargas pesadas o de acelerar a fondo.
5. El motor se debe conducir con diversas cargas y en diferentes condiciones las primeras 30 millas o una hora sin acelerador completamente abierto (WOT) o sin aceleraciones sostenidas a RPM altas.
6. Acelere cinco o seis veces a la mitad (50%) hasta unas 4,000 RPM y regrese a marcha en vacío (0% aceleración) con la velocidad puesta.
7. Acelere dos o tres veces a fondo (100% acelerador completamente abierto) hasta unas 4,000 RPM y regrese a marcha en vacío (0% aceleración) con la velocidad puesta.
8. Cambie el aceite y el filtro. Cambie el aceite conforme a la especificación del paso 1 y sustituya el filtro con un filtro de aceite nuevo PF48 AC Delco. Revise si el aceite o el filtro tiene partículas extrañas para asegurar que el motor funcione correctamente.
9. Conduzca las siguientes 500 millas (12 a 15 horas del motor) en condiciones normales. No opere el motor a su capacidad de velocidad máxima. De igual manera, no exponga el motor a periodos largos de carga pesada.
10. Cambie el aceite y el filtro. Nuevamente, revise si el aceite y filtro de aceite tienen partículas extrañas para asegurar que el motor funcione correctamente.



Especificaciones del motor LS3:

Tipo:	6.2L Gen IV Bloque pequeño V8
Desplazamiento:.....	376 pulgadas cúbicas
Orificio x Carrera:	4.065 pulg. x 3.622 pulg.
Compresión:	10.7:1
Bloque:	Aluminio fundido, seis casquillos principales con pernos en cruz de perno
Culata de cilindro:	Puerto rectangular de aluminio fundido
Diámetro de válvula (Admisión/Escape):	2.16"/1.59"
Volumen de cámara:	68cc
Cigüeñal:.....	Hierro nodular, balanceado internamente
Bielas:	Metal en polvo
Pistones:	Aluminio hipereutéctico
Árbol de levas estilo LS:.....	Levantador hidráulico de rodillo
Elevación:	0.551" admisión, 0.522" escape
Duración:.....	202° admisión, 212° escape @.050" de elevación del levantador
Línea central:.....	LSA = 117°, 112° LS376/480 y 525
Proporción del brazo balancín:.....	1.7:1
Capacidad de aceite:	5.5 cuartos (con filtro)
Presión de aceite (Mínima, con aceite caliente):	6 psig @ 1,000 RPM
.....	18 psig @ 2,000 RPM
.....	24 psig @ 4,000 RPM
Aceite recomendado:	Mobil 1 5W30 Synthetic
Filtro de aceite:.....	Parte AC Delco # PF48
Combustible:	Premium sin plomo -92 (R+M/2)
Velocidad máxima del motor:	6,600 RPM
Bujías:	12621258
.....	AC Delco # 41-985
Distancia entre bujías:	040"
Orden de explosión:	1-8-7-2-6-5-4-3