



## SP383 Deluxe Crate Engine Specifications

Specifications Part Number 19355753

This SP383 deluxe engine specification sheet should be used in conjunction with the 383 short block specification sheet, part number 19355750.

Thank you for choosing Chevrolet Performance Parts as your high performance source. Chevrolet Performance Parts is committed to providing proven, innovative performance technology that is truly... more than just power. Chevrolet Performance Parts are engineered, developed and tested to exceed your expectations for fit and function. Please refer to our catalog for the Chevrolet Performance Parts Authorized Center nearest you or visit our website at [www.chevroletperformance.com](http://www.chevroletperformance.com).

This publication provides general information on components and procedures which may be useful when installing or servicing a SP383 engine. Please read this entire publication before starting work. Also, please verify that all of the components listed in the package contents section below were shipped in the kit.

The information below is divided into the following sections: package contents, component information, SP383 engine specifications, additional parts that you may need to purchase, torque specifications, and a service parts list.

The SP383 engine incorporates modern technology in a package that can be installed in applications where 265-400ci small block Chevrolet V-8's were originally used. This complete engine is assembled using brand new, premium quality components. Due to the wide variety of vehicles in which a SP383 engine can be installed, some procedures and recommendations may not apply to specific applications.

The SP383 engine consists of a cast iron engine block, cast aluminum "Fast Burn" cylinder head assemblies, forged steel crankshaft, hypereutectic pistons, powder metal connecting rods, performance camshaft, and hydraulic roller lifters.

The SP383 engine is manufactured on current production tooling; consequently you may encounter dissimilarities between the SP383 engine assembly and previous versions of the small block V-8. In general, items such as motor mounts, accessory drives, exhaust manifolds, etc. can be transferred to a SP383 when it is installed in a vehicle originally equipped with a small block V-8 engine. However, as noted in the following sections, there may be minor differences between a SP383 engine and an older small block V-8 engine. These differences may require modifications or additional components not included with the SP383 engine. When installing a SP383 engine in a vehicle not originally equipped with a small block V-8, it may be necessary to adapt or fabricate various components for the cooling, fuel, electrical, and exhaust systems.

It is not the intent of these specifications to replace the comprehensive and detailed service practices explained in the factory service manuals.

For information about warranty coverage, please contact your local Chevrolet Performance Parts dealer.

Observe all safety precautions and warnings in the service manuals when installing a SP383 engine in any vehicle. Wear eye protection and appropriate protective clothing. When working under or around the vehicle support it securely with jackstands. Use only the proper tools. Exercise extreme caution when working with flammable, corrosive, and hazardous liquids and materials. Some procedures require special equipment and skills. If you do not have the appropriate training, expertise, and tools to perform any part of this conversion safely, this work should be done by a professional.



The information contained in this publication is presented without any warranty. All the risk for its use is entirely assumed by the user. Specific component design, mechanical procedures, and the qualifications of individual readers are beyond the control of the publisher, and therefore the publisher disclaims all liability incurred in connection with the use of the information provided in this publication.

**Legal and Emissions Information**

This publication is intended to provide information about the SP383 engine and related components. This manual also describes procedures and modifications that may be useful during the installation of a SP383 engine. It is not intended to replace the comprehensive service manuals and parts catalogs which cover Chevrolet engines and components. Rather, it is designed to provide supplemental information in areas of interest to “do-it-yourself” enthusiasts and mechanics.

This publication pertains to engines and vehicles which are used off the public highways except where specifically noted otherwise. Federal law restricts the removal of any part of a federally required emission control system on motor vehicles. Further, many states have enacted laws which prohibit tampering with or modifying any required emission or noise control system. Vehicles which are not operated on public highways are generally exempt from most regulations, as are some special interest and pre-emission vehicles. The reader is strongly urged to check all applicable local and state laws.

Many of the parts described or listed in this manual are merchandised for off-highway application only, and are tagged with the “Special Parts Notice” reproduced here:

**Special Parts Notice**

This part has been specifically designed for Off-Highway application only. Since the installation of this part may either impair your vehicle’s emission control performance or be uncertified under current Motor Vehicle Safety Standards, it should not be installed in a vehicle used on any street or highway. Additionally, any such application could adversely affect the warranty coverage of such an on-street or highway vehicle.

Chevrolet, Chevy, the Chevrolet Bow Tie Emblem, General Motors, and GM are all registered trademarks of the General Motors Company.

**Package contents:**

<b><u>Item</u></b>	<b><u>Description</u></b>	<b><u>Quantity</u></b>	<b><u>Part Number</u></b>
1	Engine Assembly	1	19355672
2	Deluxe Engine Instructions	1	19355753
3	Short Block Instructions	1	19355750

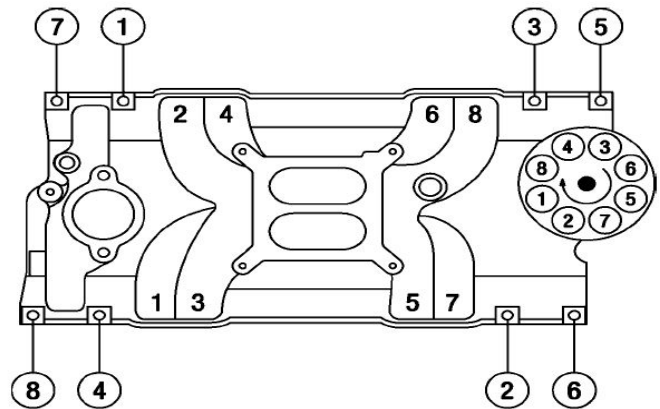
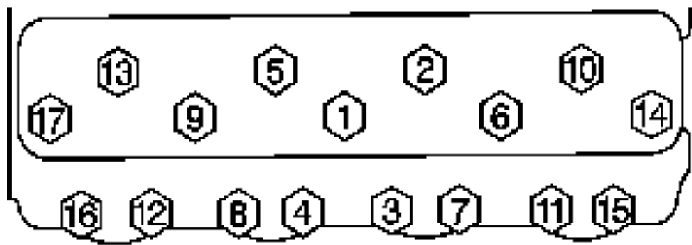


SP383 Engine Torque Specifications:

Camshaft retainer bolt.....	106 in.lbs. / 12 Nm (Blue Loctite)
Camshaft sprocket bolt .....	22 ft.lbs. / 30 Nm (Blue Loctite)
Connecting rod bolt .....	45 ft.-lbs. / 61 Nm (30 weight oil)
Carburetor nut	
First pass .....	5 ft.lbs. / 7 Nm (30 weight oil)
Second pass .....	10 ft.lbs. / 14 Nm
Final pass .....	12 ft.lbs. / 16 Nm
Crankshaft balancer bolt .....	63 ft.lbs. / 85 Nm (Blue Loctite)
Crankshaft balancer pulley .....	35 ft.lbs. / 47 Nm (Blue Loctite)
Crankshaft bearing cap bolt (inner) .....	70 ft.lbs. / 95 Nm (30 weight oil)
Crankshaft bearing cap bolt (outer) .....	65 ft.lbs. / 88 Nm (30 weight oil)
Crankshaft rear oil seal housing nut/bolt .....	11 ft.lbs. / 15 Nm (30 weight oil)
Cylinder head bolt (sequenced). Re-torque bolt after running engine for 10 hours.	
First pass .....	25 ft.lbs. / 34 Nm (Teflon pipe sealant)
Second pass .....	40 ft.lbs. / 54 Nm
Final pass .....	65 ft.lbs. / 88 Nm
Distributor bolt .....	25 ft.lbs. / 34 Nm (None)
Engine block oil gallery plugs	
1/8" NPT/cast iron .....	15 ft.lbs. / 20 Nm (Teflon pipe sealant)
1/4" NPT/cast iron .....	20 ft.lbs. / 27 Nm (Teflon pipe sealant)
3/8" NPT/aluminum .....	20 ft.lbs. / 27 Nm (Teflon pipe sealant)
1/2" NPT/aluminum .....	25 ft.lbs. / 34 Nm (Teflon pipe sealant)
Engine front cover bolt.....	97 in.lbs. / 11 Nm (Blue Loctite)
Flywheel bolt .....	65-70 ft.lbs. / 88-95 Nm (Blue Loctite)
Fuel pump cover	
1/4" bolt .....	97 in.lbs. / 11 Nm (Blue Loctite)
3/8" bolt .....	30 ft.lbs. / 40 Nm (Blue Loctite)
Intake manifold bolt (sequenced). Re-torque bolt after running engine for 10 hours.	
First pass .....	97 in.lbs. / 11 Nm (Teflon pipe sealant)
Final pass .....	11 ft.lbs. / 15 Nm
Oil filter adapter bolt .....	18 ft.lbs. / 24 Nm (Blue Loctite)
Oil level indicator tube bolt .....	106 in.lbs. / 12 Nm (Blue Loctite)

Oil pan assembly

Corner nut/bolt .....	15 ft.lbs. / 20 Nm (Blue Loctite)
Side rail bolt .....	97 in.lbs. / 11 Nm
Oil pan drain plug .....	15 ft.lbs. / 20 Nm (30 weight oil)
Oil pump bolt to the rear crankshaft bearing cap ....	66 ft.lbs. / 90 Nm (30 weight oil)
Oil pump cover bolt .....	80 in.lbs. / 9 Nm (Blue Loctite)
Rocker arm stud .....	50 ft.lbs. / 68 Nm (Blue Loctite)
Rocker cover bolt .....	106 in.lbs. / 12 Nm (30 weight oil)
Spark plug .....	15 ft.lbs. / 20 Nm (30 weight oil)
Starter motor bolt .....	35 ft.lbs. / 48 Nm (Blue Loctite)
Thermostat housing bolt .....	25 ft.lbs. / 34 Nm (Blue Loctite)
Valve lifter guide retainer bolt .....	18 ft.lbs. / 24 Nm (Blue Loctite)
Water pump bolt .....	30 ft.lbs. / 40 Nm (30 weight oil)
Windage tray nut .....	30 ft.lbs. / 40 Nm (30 weight oil)



## Component Information:

### Block

The SP383 Block is a 1986 and later (1 piece rear main seal) design. The block is bored and block deck plate honed to a finished size of 4.005". Features include 4 bolt intermediate mains, clearanced for a 3.80" stroker crankshaft, and machined for hydraulic roller or flat tappet lifters.

### Crankshaft

The SP383 Engine comes with forged crankshaft part number 12489436. The crankshaft features are outlined below:

- ◆ 3.800" stroke
- ◆ Externally balanced
- ◆ 2.45" main journals/2.10" rod journals
- ◆ Radii on main and rod journals
- ◆ One-piece style rear main
- ◆ Number 1 and 4 crank pins hollowed
- ◆ Rod and main oil hole chamfered
- ◆ 3.000" crank flange bolt circle
- ◆ 4340 steel alloy, nitride treated

### Connecting Rods

Steel powdered metal connecting rod with the centerline of crank pin bore to centerline of piston pin bore is 5.700". It has been machined to clear camshafts in most small block stroker applications.

### Engine Bearings

Main engine bearings, part number 12499102, are a 3/4 groove design which maintains the full surface area in the most highly loaded portion of the lower main bearing, while permitting improved oil flow to the rod bearing. Main bearings #1-4 are manufactured from an H-14 (four metals) alloy and have a hardened steel backing made from SAE 1020 steel. The #5 flange bearing is manufactured from an H-24 (tri-metal) alloy and has a hardened steel backing made from SAE 1008-1010 steel.

Rod bearings, part number 17800761, feature a full chamfer on one side to accommodate the radius on the crankshaft journal. Rod bearings are manufactured from H-14 (four metals), and have a hardened steel backing made from SAE 1020 steel.

### Pistons

New high performance hypereutectic flat top pistons featuring a special skirt coating designed to run with a piston to cylinder wall clearance of .0010"-.0015" including the coating. These pistons were designed to take full advantage of the deck plated and precisely honed engine block. They also feature a pressed piston pin.

### Cylinder Heads

Aluminum "Fast Burn" cylinder heads, have the highest performance potential of any 23° small block cylinder head developed by Chevrolet. The name "Fast Burn" refers to the cylinder head's ability to quickly and completely burn the air fuel mixture, resulting in higher cylinder pressures and more power. The shape of the combustion chamber is designed to accomplish this "Fast Burn" with flat top pistons. Like those supplied with the engine package. The "Fast Burn" head accepts both center bolt and early style four bolt flange mount rocker covers. Intake manifold mating surfaces are drilled and tapped for both Vortec and conventional raised port style intake manifolds. Vortec style manifold is used in this application.

This engine is equipped with cylinder heads 19300955 which can also be easily identified by having a Chevrolet Bowtie embossed on the end of the head. These heads are equipped with LS engine "beehive" style valve springs that are blue in color.



### **Caution**

This engine assembly needs to be filled with oil and primed. You should add the specified oil (see start-up instructions) to your new engine. Check the engine oil level on the dipstick and add accordingly.

### **Start-up and Break-in Procedures**

1. After installing the engine, ensure the crankcase has been filled with 10w30 motor oil (non-synthetic) to the recommended oil fill level on the dipstick. Also check and fill as required any other necessary fluids such as coolant, power steering fluid, etc.
2. The engine should be primed with oil prior to starting. Follow the instructions enclosed with the tool. To prime the engine, first remove the distributor to allow access to the oil pump drive shaft. Install the oil priming tool, 141-955 from our licensed partner [www.factoryperformanceparts.com](http://www.factoryperformanceparts.com). Using a 1/2" dill motor, rotate the engine oil priming tool clockwise for three minutes. While you are priming the engine, have someone else rotate the crankshaft clockwise to supply oil throughout the engine and to all the bearing surfaces before the engine is initially started. This is the sure way to get oil to the bearings before you start the engine for the first time. Also, prime the engine if it sits for extended periods of time. Install Distributor as follows: (1) Locate cylinder #1 top dead center (TDC). (2) Rotate engine to 12 degrees before top dead center (BTDC). (3) Align Rotor with the cylinder #1 terminal on the Distributor.

After the engine has been installed in the vehicle, recheck the oil level and add oil as required. It is also good practice to always recheck the ignition timing after removal and reinstallation of the distributor. See step 4 or engine specifications for the proper timing information.

3. Safety first. If the vehicle is on the ground, be sure the emergency brake is set, the wheels are chocked and the car cannot fall into gear. Verify everything is installed properly and nothing was missed.
4. Start the engine and adjust the initial timing. If using an HEI distributor, set spark timing at 32 degrees before top dead center (BTDC) at 4,000 RPM with the vacuum advance line to the distributor disconnected and plugged. The vacuum advance canister should remain disconnected. This engine is designed to operate using only the internal centrifugal advance to achieve the correct timing curve. Rotate the distributor counterclockwise to advance the timing. Rotate the distributor clockwise to retard the timing.
5. When possible, you should always allow the engine to warm up prior to driving. It is a good practice to allow the oil sump and water temperature to reach 180°F before towing heavy loads or performing hard acceleration runs.
6. Once the engine is warm, set the total advance timing to 32° at 4000 RPM.
7. The engine should be driven at varying loads and conditions for the first 30 miles or one hour without wide open throttle (WOT) or sustained high RPM accelerations.
8. Run five or six medium throttle (50%) accelerations to about 4000 RPM and back to idle (0% throttle) in gear.
9. Run two or three hard throttle (WOT 100%) accelerations to about 4000 RPM and back to idle (0% throttle) in gear.
10. Change the oil and filter. Replace with 10w30 motor oil (non synthetic) and a PF25 AC Delco oil filter. Inspect the oil and the oil filter for any foreign particles to ensure that the engine is functioning properly.
11. Drive the next 500 miles under normal conditions or 12 to 15 engine hours. Do not run the engine at its maximum rated engine speed. Also, do not expose the engine to extended periods of high load.
12. Change the oil and filter. Again, inspect the oil and oil filter for any foreign particles to ensure that the engine is functioning properly.
13. Do not use synthetic oil for break-in. It would be suitable to use synthetic motor oil after the second recommended oil change and mileage accumulation. In colder regions, a lower viscosity oil may be required for better flow characteristics.



SP383 Engine Specifications:

Displacement: ..... 383 cubic inches  
 Bore x Stroke: ..... 4.005 inch x 3.80 inch  
 Compression..... 9.7:1 nominal  
 Block: ..... Cast iron, four-bolt intermediate mains  
 Cylinder Head: ..... Aluminum "Fast Burn"  
     Valve Diameter (Intake/Exhaust): ..... 2.00"/1.55"  
 Chamber Volume:..... 62cc  
 Crankshaft: ..... 4340 Forged steel, 1 piece rear seal  
 Connecting Rods: ..... 5.7" Forged, 3/8" bolts  
 Pistons: ..... Hypereutecic, 244-T5 aluminum alloy  
 Rings: ..... Plasma Moly  
 Camshaft: ..... Hydraulic roller tappet  
     Lift: ..... .509" intake, .528" exhaust  
     Duration:..... 222° intake, 230° exhaust @.050" tappet lift  
     Centerline: ..... 107° ATDC intake, 117° BTDC exhaust  
 Rocker Arm Ratio: .....1.5:1  
 Timing Chain: ..... 8 mm single roller design  
 Oil Pan: ..... 5-quart (w/ new filter)  
 Oil Pressure (Normal): ..... 40 psi @ 2000 RPM  
 Recommended Oil: ..... 10W30 Synthetic (after break –in)  
 Oil Filter: ..... AC Delco part # PF25  
     ..... Premium AC Delco part # UPF25  
 Valve Lash: ..... 1/2 turn down from zero lash  
 Fuel: ..... Premium unleaded - 92 (R+M/2)  
 Maximum Engine Speed: ..... 6000 RPM  
 Spark Plugs:..... R44LTS for general usage: R42LTS for racing  
 Spark Plug Gap ..... .040"  
 Spark Timing: ..... 32° maximum @ 4000 RPM with vacuum advance disconnected  
 Firing Order: ..... 1-8-4-3-6-5-7-2

Information may vary with application. All specifications listed are based on the latest production information available at the time of printing.



**Additional parts that may be needed:**

**Flywheel / Flexplate:**

Like all small block V-8 engines produced since 1986, the SP383 engine has a 3.00" diameter flywheel flange bolt pattern. Small block V-8 engines produced from 1958 through 1985 had a 3.58" diameter flywheel flange bolt pattern. This change in bolt circle diameter was made to accommodate a leak-resistant one-piece rear main seal. This SP383 engine includes a 12 3/4" diameter flexplate part number 14088765. A manual transmission flywheel is available (part number 14088650). See the catalog or visit [www.chevroletperformance.com](http://www.chevroletperformance.com) for more information.

**NOTE:** You must use a 14" diameter flexplate if using Chevrolet Supermatic torque converter.

**Pilot Bearing:**

You must install a pilot bearing in the rear of the crankshaft if the engine will be used with a manual transmission. The pilot bearing aligns the transmission input shaft with the crankshaft centerline. A worn or misaligned pilot bearing can cause shifting problems and rapid clutch wear. A roller pilot bearing, part number 14061685, is recommended for this engine. This heavy-duty bearing adds an extra margin of reliability to a high performance drivetrain.

**Starter:**

This SP383 engine does not include a starter. The starter must be matched to the flywheel or flexplate diameter when installing the SP383 engine. Small diameter flywheels are 12-3/4" in diameter and have a starter ring gear with 153 teeth. Large diameter flywheels are 14" in diameter and have 168 teeth on the starter ring gear. This difference in flywheel diameters requires two different starter housing. Starter noses used with 14" diameter flywheel have two offset bolt holes; starters used with 12-3/4" diameter flywheels have bolt holes that are straight across from each other.

Note: Chevrolet starter motors use special shouldered mounting bolts which register the starter on the block.

The following starters and hardware can be used with the SP383 engine:

- 10496870 Heavy-duty, remanufactured starter for 12-3/4" diameter flywheel/flexplate
- 1876552 Heavy-duty starter for 14" diameter flywheel/flexplate
- 14097278 Bolt, starter mounting, long, for heavy-duty starter, 3/8"-16 x 4.65" long
- 14097279 Bolt, starter mounting, long, for heavy-duty starter, 3/8"-16 x 1.85" long
- 19302919 Permanent magnet gear reduction (PMGR) starter for 14" diameter flywheel/flexplate (10 lb.)
- 14037733 Bolt, starter mounting, inner for 12-3/4" PMGR starter

**Carburetor/Air cleaner:**

A 750 or 770 cfm four-barrel carburetor with vacuum operated secondaries and electric choke is recommended for the SP383 engine. Chevrolet Performance recommends using the Holley 770 cfm four barrel carburetor p/n 19170093 to make the most of the engine's capability and achieve the listed horsepower and torque ratings. A foam or paper element, low restriction air cleaner should be used to protect the engine from excessive wear and diffuse the air entering the carburetor. The fuel mixture distribution can be upset if no diffuser is used causing poor power and misfiring at high engine speeds. Always check for adequate hood clearance when installing a new air cleaner. Chevrolet Performance Parts has two chromed, 14-inch diameter, open element air cleaner assemblies for single four-barrel carburetors. Part number 141-306 available from our licensed partner [www.factoryperformanceparts.com](http://www.factoryperformanceparts.com), has a plain top and part number 141-302 available from our licensed partner [www.factoryperformanceparts.com](http://www.factoryperformanceparts.com), has a Chevrolet logo. Both of these assemblies are supplied with a 3-inch tall filter element, part number 6421746 (AC# A212cw). A taller 4-inch element is available, part number 8997189 (AC# A698c).





**Fuel Pump:**

This SP383 engine does not include a fuel pump. The fuel system must be capable of supplying adequate fuel volume at a minimum of 6 psi pressure when the engine is operating at wide open throttle (WOT). A high volume, in-line electric fuel pump is available from Chevrolet Performance Parts, part number 25115899. This heavy duty pump flows 72 gallons per hour at 6-8 psi outlet pressure.

Also, the SP383 engine has a provision for a mechanical fuel pump. There are two mechanical fuel pumps available from Chevrolet. Part number 12355612 is recommended for street performance. Part number 12355613 is recommended for competition.

**Spark Plugs/Spark Plug Wires:**

The recommended spark plugs for the SP383 engine are part number 19300749 (AC# R44LTS). These are for general street and performance use. If you plan to use this engine mostly for competition racing, you may want to change to a colder spark plug such as R42LTS. If you are installing the engine in a vehicle originally equipped with a small block V-8 with high energy ignition (HEI), standard replacement spark plug wires can be used. The SP383 engine does not include spark plug wires. Part number 12361051 can be used. These heavy-duty wires come with 90° spark plug boots, and the Chevrolet Performance logo stamped on the wires. Chevrolet Performance sells a spark plug wire loom kit, part number 12496806. The brackets in this kit are stainless steel, with the "Bow Tie" logo laser cut into them. This kit can be used with the SP383. The brackets bolt to the side of the cylinder heads.

**PCV System:**

The SP383 engine does not come with rocker cover grommets. It is recommended to use grommet part number 3989350 with these rocker covers.

1. Install PCV valve, part number 6487779, into the grommet in the rocker cover on the left hand side of the engine.
2. Attach one end of the PCV hose, part number 9438373, to the PCV valve. Attach the other end of the hose to the rear port on the carburetor.
3. Add a breather to the right valve cover such as 19131218. The PCV system must have a fresh air intake to function properly.

**Thermostat:**

It is recommended that the cooling system have a 180°F thermostat, part number 10202456. Also, use thermostat housing, part number 10108470, and gasket, part number 10105135.

**Distributor:**

Chevrolet recommends the use of the HEI distributor, part number 93440806, on the SP383 engine. It was used throughout the testing on this and many of their other crate engines and has passed various tests. The HEI Distributor incorporates a hardened (melonized) drive gear that is compatible with a steel camshaft. Use of a non-hardened gear will result in excessive wear. To install the distributor use connector, part number 8917052, to attach the tachometer wire to the distributor. You will also need a distributor hold-down clamp, part number 10096197, and fastener, part number 09439905, to secure the distributor to the intake manifold. When installing the distributor it is recommended to use a "Moly-Lube" type lubricant applied to the distributor gear. Coat the gear generously with the Moly-Lube using a small brush. This lube will aid in the break-in of the distributor gear and camshaft gear upon start up.

**Headers:**

The SP383 High Performance engine should be installed with a pair of high performance headers for maximum performance. The headers used during development of the SP383 had 1.75" diameter primary tubes. Primary tubes were approximately 32.00" in length and had 3.00" diameter collectors. Using a similar combination in your application, along with a performance exhaust system with a balance tube ("H" pipe) and low restriction mufflers, will provide you with optimum performance from your SP383 High Performance engine.



**SP383 Service Parts List:**

<u>Part #</u>	<u>Quantity</u>	<u>Name</u>	<u>Part #</u>	<u>Quantity</u>	<u>Name</u>
88962516	1	Block Asm, Eng	12557558	1	Pan, Oil
19300955	2	Head Asm, Cyl W/Vlvs	12553058	1	Reinforcement-Oil Pan
19303150	2	Kit of 8 shims for beehive springs	12553059	1	Reinforcement-Oil Pan
12625033	16	Spring-Vlv	93442037	1	Pump Asm-Oil
10212810	16	Seal, Vlv Stem Oil	12550042	1	Screen Asm-O/Pmp
19303149	2	Kit of 8 caps for beehive springs	3998287	1	Shaft, O/Pmp Drv
19302868	2	Kit of 16 keys for beehive springs	3764554	1	Retainer-O/Pmp Drv Shf
12555331	8	Valve-Int	12551154	1	Tube Asm-Oil Lvl Ind
12551313	8	Valve-Exh	12551144	1	Indicator Asm-Oil Lvl
12552126	16	Stud-Vlv Rkr Arm Ball	12594364	1	Washer-Cr/Shf Pul Hub
12499103	1	Piston Kit, W/Pin (.005" O/S) Set Of 8	88894341	1	Pump Kit, Wat
12499107	1	Ring Kit, Pstn (0.005" O/S) Set Of 8	03754587	2	Gasket-W/Pmp
19355718	8	Rod Asm,Conn	10241740	16	Rod Asm-Vlv Push
12489436	1	Crankshaft, 3.800 Forged Steel	19210728	1	Arm Kit, Vlv Rkr
12499102	1	Bearing Kit, Cr/Shf Main (Std)	10168501	1	Retainer-Cm/Shf
17800761	1	Bearing Kit, Conn Rod (Std)	19210723	1	Camshaft
10168527	16	Bolt/Screw-Cyl Hd (Short)	17120735	16	Lifter, Vlv
10168526	4	Bolt/Screw-Cyl Hd (Med)	12550002	8	Guide-Vlv Lftr
10168525	14	Bolt/Screw-Cyl Hd (Long)	12562818	1	Cover Asm-Eng Frt
14088764	6	Bolt/Screw-Flywhl	10228655	1	Seal Asm, Cr/Shf Frt Oil
10105117	2	Gasket-Cyl Hd	10213294	8	Grommet, Eng Frt Cvr
12555771	1	Gasket-Cr/Shf Rr Oil Seal Hsg	12555269	2	Cover Asm-Vlv Rkr Arm
10108676	1	Gasket-Oil Pan	12552129	1	Sprocket-Cm/Shf
10046089	2	Gasket-Vlv Rkr Arm Cvr	14088784	1	Sprocket-Cr/Shf
12561389	3	Stud-Cr/Shf Brg Cap	14088783	1	Chain-Cm/Shf Timing
14101058	1	Stud-Cr/Shf Rr Oil Seal Ret	12496822	01	Manifold Pkg, Int
14088556	1	Housing, Cr/Shf Rr Oil Seal	19301684	02	Gasket, Int Manif
12554816	1	Deflector-Cr/Shf Oil	24504713	08	Bolt/Screw, Oil Fltr Ada
14088765	1	Flexplate Asm			
12498008	1	Dampener, Torsional			

## Spécifications du moteur de luxe SP383 Deluxe Crate Engine

Numéro de référence des spécifications : 19355753

Cette fiche de caractéristiques techniques du moteur de luxe SP383 doit être utilisée conjointement avec la fiche de caractéristiques techniques de bloc-moteur embiellé 383, numéro de pièce 19355750.

Nous vous remercions d'avoir choisi Chevrolet Performance Parts comme source de haute performance. Chevrolet Performance Parts s'est engagée à offrir une technologie de rendement éprouvée et novatrice qui est réellement... beaucoup plus que de la puissance. Les pièces de Chevrolet Performance Parts ont été conçues, élaborées et mises à l'essai de manière à dépasser vos attentes de réglage précis et de fonction. Veuillez vous reporter à notre catalogue pour connaître le centre Chevrolet Performance Parts autorisé le plus près de chez vous ou visitez notre site Web à [www.chevroletperformance.com](http://www.chevroletperformance.com).

La présente publication offre de l'information d'ordre général sur les composants et les procédures pouvant s'avérer utiles lors de l'installation ou de l'entretien du moteur SP383. Veuillez lire en entier la présente publication avant de commencer à travailler. Veuillez également vérifier que tous les composants énumérés dans la section Contenu de l'ensemble ci-dessous ont été envoyés avec la trousse.

L'information ci-dessous est répartie dans les sections suivantes : contenu de l'ensemble, renseignements sur les composants, caractéristiques techniques du moteur SP383, pièces supplémentaires qu'il faut peut-être acheter, spécifications de couple et liste de pièces de rechange.

Le moteur SP383 bénéficie d'une technologie moderne dans un ensemble qui peut être monté dans la plupart des applications où le V-8 à petit bloc Chevrolet 265-400ci était précédemment utilisé. Ce moteur complet est monté en utilisant des composants neufs de première qualité. En raison du grand nombre de véhicules sur lesquels le moteur SP383 peut être monté, certaines procédures et recommandations peuvent ne pas s'appliquer aux applications particulières.

Le moteur SP383 est composé d'un bloc-moteur en fonte, d'ensembles de culasse « Fast Burn » en aluminium moulé, d'un vilebrequin en acier forgé, de pistons hypereutectiques, de bielles en métal fritté, d'un arbre à cames de performance et de poussoirs à rouleaux hydrauliques.

Le moteur SP383 est fabriqué sur l'outillage de production actuel ; par conséquent, il est possible de rencontrer des dissemblances entre le moteur SP383 et les précédentes versions du petit bloc V-8. En général, les éléments tels que les fixations du moteur, les entraînements accessoires, les tubulures d'échappement, etc. peuvent être transférés sur un SP383 lorsqu'il est monté sur un véhicule équipé à l'origine d'un moteur V-8 à petit bloc. Toutefois, comme l'indiquent les sections suivantes, il peut exister de petites différences entre un moteur SP383 et un moteur V-8 à petit bloc plus ancien. Ces différences peuvent nécessiter des modifications ou des composants supplémentaires non compris avec le moteur SP383. Lors du montage d'un moteur SP383 sur un véhicule non équipé à l'origine d'un V-8 à petit bloc, il peut être nécessaire d'adapter ou de fabriquer divers composants pour les systèmes de refroidissement, de carburant, d'électricité et d'échappement.

Ces caractéristiques techniques ne sont pas destinées à remplacer les pratiques d'entretien complètes et détaillées expliquées dans les manuels de réparation d'usine.

Pour obtenir de l'information sur l'étendue de la garantie, prière de communiquer avec le concessionnaire Chevrolet Performance Parts local.

Observer toutes les précautions et tous les avertissements en matière de sécurité présentés dans les manuels d'entretien au moment de monter un moteur SP383 dans n'importe quel véhicule. Porter un protecteur pour la vue et des vêtements de protection appropriés. Lorsqu'on travaille sous ou autour d'un véhicule, le soutenir solidement à l'aide de chandelles. Utiliser seulement les outils appropriés. Faire preuve d'extrême prudence lorsqu'on travaille avec des liquides ou des matériaux inflammables, corrosifs ou dangereux. Certaines procédures nécessitent l'utilisation d'un équipement spécial et des habiletés particulières. Si vous ne possédez pas la formation, l'expertise et les outils nécessaires pour effectuer toute partie de cette conversion en toute sécurité, ce travail devrait être réalisé par un professionnel.

Les renseignements contenus dans cette publication sont présentés sans aucune garantie. Tout risque encouru pendant l'utilisation de cette publication est entièrement assumé par l'utilisateur. La conception de composant spécial, les procédures mécaniques et les qualifications de chaque lecteur sont hors du contrôle de l'éditeur et c'est pourquoi il décline toute responsabilité afférente en lien avec l'utilisation des renseignements fournis dans cette publication.

#### **Renseignements légaux et renseignements sur les émissions**

Le présent document a pour objet de fournir des renseignements sur le moteur SP383 et les composants connexes. Le présent manuel décrit également les procédures et les modifications pouvant être utiles pendant la pose d'un moteur SP383. Ces renseignements ne sont pas destinés à remplacer les manuels de réparation complets et les catalogues de pièces en matière de moteurs et de composants de Chevrolet. Plutôt, ce guide a été conçu pour offrir des renseignements supplémentaires sur les matières pouvant intéresser les « bricoleurs » et les mécaniciens.

Cette publication s'applique aux moteurs et aux véhicules qui sont utilisés hors des voies publiques, sauf indication contraire expresse. Les règlements fédéraux restreignent la dépose des véhicules automobiles de toute partie d'un système antipollution exigé par la loi fédérale. En outre, de nombreux États ont établi des lois qui interdisent le trafiquage ou la modification de tout système antipollution ou antibruit exigé par la loi. En règle générale, les véhicules qui ne roulent pas sur les voies publiques, tout comme certains véhicules d'intérêt spécial et pré-émissions, sont exempts de la plupart de la réglementation. On suggère fortement au lecteur de consulter tous les règlements municipaux et provinciaux applicables.

Plusieurs des pièces qui sont décrites ou énumérées dans le présent ouvrage sont commercialisées à des fins hors autoroute seulement et elles portent l'étiquette « Special Parts Notice » (avis sur les pièces spéciales) qui est reproduite ici.

#### **Avis sur les pièces spéciales**

Cette pièce a été conçue spécifiquement pour une application hors route seulement. Puisque la pose de cette pièce pourrait nuire au rendement antipollution du véhicule ou donner lieu à son manque d'homologation en vertu des normes de sécurité actuelles des véhicules automobiles, celle-ci ne doit pas être posée dans un véhicule qui sera utilisé sur une voie publique ou une autoroute. En outre, une telle application pourrait donner lieu à l'annulation de la garantie d'un tel véhicule sur route ou autoroute.

Chevrolet, Chevy, l'emblème Chevrolet, General Motors et GM sont des marques déposées de General Motors.

#### **Contenu de l'emballage :**

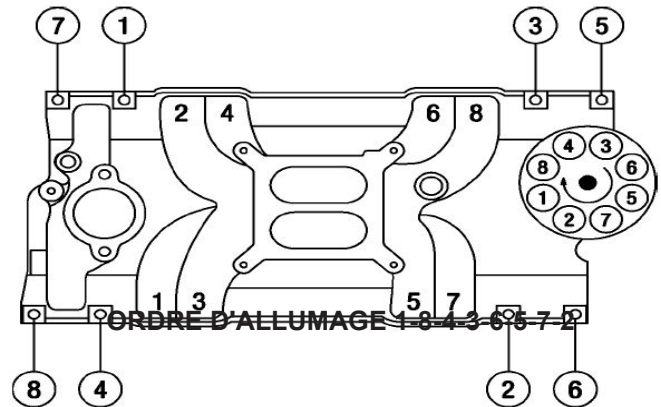
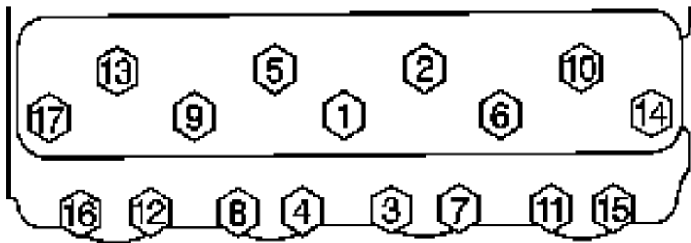
<b><u>Article</u></b>	<b><u>Description</u></b>	<b><u>Quantité</u></b>	<b><u>Numéro de pièce</u></b>
1	Ensemble moteur	1	19355672
2	Instructions relatives au moteur de luxe	1	19355753
3	Instructions du bloc-moteur embiellé	1	19355750

**Spécifications de couple du moteur SP383**

Boulon de retenue de l'arbre à cames .....	106 lb po / 12 Nm (Loctite Blue)
Boulon de pignon de l'arbre à cames .....	22 lb pi / 30 Nm (Loctite Blue)
Boulon de bielle .....	45 lb pi / 61 Nm (huile de grade 30)
<b>Écrou de carburateur</b>	
Première passe .....	5 lb pi / 7 Nm (huile de grade 30)
Deuxième passe .....	10 lb pi / 14 Nm
Dernière passe .....	12 lb pi / 16 Nm
Boulon d'amortisseur de vibrations .....	63 lb pi / 85 Nm (Loctite Blue)
Poulie d'amortisseur de vibrations .....	35 lb pi / 47 Nm (Loctite Blue)
Boulon de chapeau de palier de vilebrequin (interne).....	70 lb pi / 95 Nm (huile de grade 30)
Boulon de chapeau de palier de vilebrequin (externe).....	65 lb pi / 88 Nm (huile de grade 30)
<b>Écrou/boulon de carter de joint à huile arrière de vilebrequin .....</b>	
	11 lb pi / 15 Nm (huile de grade 30)
<b>Boulon de culasse (séquencé).</b>	
Resserrer le boulon après avoir fait tourner le moteur pendant 10 heures.	
Première passe .....	25 lb pi / 34 Nm (produit d'étanchéité de tuyau au Téflon)
Deuxième passe .....	40 lb pi / 54 Nm
Dernière passe .....	65 lb pi / 88 Nm
Boulon de distributeur .....	25 lb pi / 34 Nm (Aucun)
<b>Bouchons de passage d'huile du bloc-moteur</b>	
1/8 po NPT/fonte .....	15 lb pi / 20 Nm (produit d'étanchéité de tuyau au Téflon)
1/4 po NPT/fonte .....	20 lb pi / 27 Nm (produit d'étanchéité de tuyau au Téflon)
3/8 po NPT/aluminium .....	20 lb pi / 27 Nm (produit d'étanchéité de tuyau au Téflon)
1/2 po NPT/aluminium .....	25 lb pi / 34 Nm (produit d'étanchéité de tuyau au Téflon)
Boulon de couvercle avant du moteur.....	97 lb po / 11 Nm (Loctite Blue)
Boulon de volant moteur .....	65-70 lb pi / 88-95 Nm (Loctite Blue)
<b>Couvercle de pompe à carburant</b>	
Boulon 1/4 po .....	97 lb po / 11 Nm (Loctite Blue)
Boulon 3/8 po .....	30 lb pi / 40 Nm (Loctite Blue)
<b>Boulon de collecteur d'admission (séquencé).</b>	
Resserrer le boulon après avoir fait tourner le moteur pendant 10 heures.	
Première passe .....	97 lb po / 11 Nm (produit d'étanchéité de tuyau au Téflon)
Dernière passe .....	11 lb pi / 15 Nm
Boulon d'adaptateur de filtre à huile .....	18 lb pi / 24 Nm (Loctite Blue)
Boulon de tube d'indicateur de niveau d'huile.....	106 lb po / 12 Nm (Loctite Blue)

Ensemble carter d'huile

Écrou/boulon d'angle.....	15 lb pi / 20 Nm (Loctite Blue)
Boulon de longeron .....	97 lb po / 11 Nm
Bouchon de vidange de carter d'huile .....	15 lb pi / 20 Nm (huile de grade 30)
Boulon de pompe à huile sur le chapeau de palier arrière de vilebrequin.....	66 lb pi / 90 Nm (huile de grade 30)
Boulon de couvercle de pompe à huile .....	80 lb po / 9 Nm (Loctite Blue)
Goujon de culbuteur.....	50 lb pi / 68 Nm (Loctite Blue)
Boulon de cache-culbuteur.....	106 lb po / 12 Nm (huile de grade 30)
Bougie .....	15 lb pi / 20 Nm (huile de grade 30)
Boulon de démarreur.....	35 lb pi / 48 Nm (Loctite Blue)
Boulon de boîtier de thermostat .....	25 lb pi / 34 Nm (Loctite Blue)
Boulon de retenue de guide de poussoir de soupape.....	18 lb pi / 24 Nm (Loctite Blue)
Boulon de pompe à eau .....	30 lb pi / 40 Nm (huile de grade 30)
Écrou de plateau de dérive .....	30 lb pi / 40 Nm (huile de grade 30)



**Renseignements sur les composants :****Bloc**

Le bloc-moteur SP383 est de conception 1986 et ultérieure (joint principal arrière monobloc). Le bloc-moteur est percé et surmonté d'une plaque de finition traitée de taille finie 4,005 po. Ses caractéristiques incluent un boîtier intermédiaire à 4 boulons, avec dégagement pour une course de vilebrequin de 3,80 po, et usiné pour rouleaux hydrauliques ou poussoirs plats.

**Vilebrequin**

Le moteur SP383 est équipé d'un vilebrequin forgé de numéro de pièce 12489436. Les caractéristiques du vilebrequin sont indiquées ci-dessous :

- ◆ Course de 3,800 po
- ◆ Équilibrage externe
- ◆ Coussinets principaux de 2,45 po/coussinets de bielle de 2,10 po
- ◆ Rayons sur coussinets principaux et de bielle
- ◆ Joint principal arrière de type monobloc
- ◆ Manetons numéros 1 et 4 évidés
- ◆ Trous de graissage principal et de bielle chanfreinés
- ◆ Cercle de boulonnage des brides de manivelle de 3,000 po
- ◆ Alliage d'acier 4340, nitruré

**Bielles**

Des bielles en acier fritté avec 5,700 po entre le centre du trou de maneton et le centre de l'axe de piston. Bielles usinées pour dégager les arbres à cames dans la plupart des applications à petit bloc.

**Paliers de moteur**

Les paliers principaux du moteur, numéro de pièce 12499102, sont rainurés aux 3/4 et maintiennent la totalité de la surface dans la portion la plus fortement chargée du palier inférieur principal, tout en permettant un écoulement d'huile amélioré vers le palier de bielle. Les paliers principaux numéros 1 à 4 sont fabriqués à partir d'un alliage H-14 (quatre métaux) et sont renforcés avec de l'acier trempé SAE 1020. Le palier à bride numéro 5 est fabriqué à partir d'un alliage H-24 (trois métaux) et est renforcé avec de l'acier trempé SAE 1008-1010.

Les paliers de bielle, numéro de pièce 17800761, sont munis d'un chanfrein plein sur un côté afin de s'adapter au rayon du coussinet du vilebrequin. Les paliers de bielle sont fabriqués à partir d'un alliage H-14 (quatre métaux) et sont renforcés avec de l'acier trempé SAE 1020.

**Pistons**

Nouveaux pistons à tête plate hypereutectiques de haute performance, pourvus d'un revêtement de chemise conçu pour fonctionner avec un dégagement de 0,0010 à 0,0015 po entre le piston et la paroi de cylindre, revêtement compris. Ces pistons ont été conçus pour tirer pleinement avantage du bloc-moteur surmonté d'une plaque de finition et traité avec précision. Ils sont également pourvus d'un axe de piston pressé.

**Culasses**

Culasses « Fast Burn » en aluminium, ayant le plus fort potentiel de performance de toutes les culasses de petit bloc à 23° développées par Chevrolet. Le nom « Fast Burn » fait référence à la capacité des culasses à brûler rapidement et complètement le mélange air-carburant, entraînant des pressions plus fortes sur les cylindres et donc plus de puissance. La forme de la chambre de combustion est conçue pour que cette combustion « Fast Burn » soit compatible avec les pistons à tête plate. Comme ceux fournis dans l'ensemble de moteur. La culasse « Fast Burn » est compatible avec les cache-culbuteurs à montage à bride avec boulon centré et le modèle à quatre boulons. Les surfaces d'ajustement du collecteur d'admission sont percées et taraudées pour accueillir les collecteurs d'admission Vortec comme les modèles traditionnels à ouverture élevée. Le collecteur de style Vortec est utilisé dans cette application.

Ce moteur est équipé de culasses 19300955, qui sont également facilement identifiables par le nœud papillon Chevrolet imprimé en relief sur leur extrémité. Ces culasses sont équipées de ressorts de soupape de type « ruche » pour moteur LS, de couleur bleue.

**Attention**

Ce moteur doit être rempli d'huile et amorcé. Il vous faut ajouter de l'huile spécifiée (voir les instructions au démarrage) à votre moteur neuf. Vérifier le niveau d'huile moteur sur la jauge d'huile et compléter au besoin.

**Procédures de démarrage et de rodage**

1. Après avoir posé le moteur, s'assurer que le carter de vilebrequin a été rempli avec de l'huile moteur 10W30 (non synthétique) jusqu'au niveau de remplissage d'huile recommandé sur la jauge graduée. Vérifier et ajouter tout autre liquide nécessaire, comme du liquide de refroidissement, du liquide de direction assistée, etc.
2. Le moteur doit être amorcé avec de l'huile avant de démarrer. Suivre les instructions fournies avec l'outil. Pour amorcer le moteur, déposer d'abord le distributeur pour accéder à l'arbre d'entraînement de la pompe à huile. Installer l'outil d'amorce d'huile no 141-955 de notre partenaire agréé [www.factoryperformanceparts.com](http://www.factoryperformanceparts.com). À l'aide d'un moteur de perceuse de 1/2 po, faire tourner l'outil d'amorçage d'huile moteur dans le sens horaire pendant trois minutes. Pendant l'amorçage du moteur, demander à quelqu'un d'autre de faire tourner le vilebrequin dans le sens horaire pour alimenter tout le moteur et toutes les surfaces des roulements en huile avant de faire démarrer le moteur. C'est la façon la plus sûre de faire parvenir l'huile aux roulements avant de faire démarrer le moteur pour la première fois. Amorcer également le moteur s'il n'a pas tourné pendant une longue période. Poser le distributeur comme suit : (1) Repérer le point mort haut (PMH) du cylindre n° 1. (2) Faire tourner le moteur sur 12 degrés avant le point mort haut (AvPMH). (3) Aligner le rotor sur la borne du cylindre n° 1 du distributeur.

Après avoir monté le moteur sur le véhicule, revérifier le niveau d'huile et ajouter de l'huile au besoin.

Il est également conseillé de toujours revérifier le calage de d'allumage après avoir déposé et reposé le distributeur.

Voir l'Étape 4 ou les caractéristiques techniques du moteur pour se renseigner sur le calage correct.

3. La sécurité d'abord. Si le véhicule est sur le sol, s'assurer que le frein de stationnement est engagé, que les roues sont calées et que le véhicule ne peut s'engager dans un rapport. Vérifier si tout est installé adéquatement et que rien ne manque.
4. Démarrer le moteur et procéder au calage de l'allumage initial. En cas d'utilisation d'un distributeur HEI, régler le calage de l'allumage à 32° avant le point mort haut (AvPMH) à 4 000 tr/min, avec la tringle de correcteur d'avance à dépression du distributeur débranchée et branchée. L'absorbeur d'avance à dépression doit rester débranché. Ce moteur est conçu pour fonctionner uniquement avec l'avance centrifuge interne, pour obtenir la bonne courbe de distribution. Faire tourner le distributeur dans le sens antihoraire pour avancer l'allumage. Faire tourner le distributeur dans le sens horaire pour retarder l'allumage.
5. Lorsque cela est possible, vous devriez toujours permettre au moteur de se réchauffer avant de conduire. Une bonne pratique est de permettre à la température du carter d'huile et de l'eau d'atteindre 180°F avant de tirer de lourdes charges ou de faire des courses à accélération brusque.
6. Une fois que le moteur est chaud, régler l'avance totale de l'allumage à 32° à 4 000 tr/min.
7. Le moteur devrait être entraîné à différentes charges et dans différentes conditions les 30 premiers milles ou pendant une heure sans être au régime maximal (WOT) ou sans subir d'accélération brusques du nombre de tours par minute.
8. Effectuer cinq ou six accélérations à gaz moyens (50 %) jusqu'à environ 4 000 tr/min puis retourner à la marche au ralenti (0 % des gaz) en prise.
9. Effectuer deux ou trois accélérations dures (pleins gaz à 100 %) jusqu'à environ 4 000 tr/min puis retourner à la marche au ralenti (0 % des gaz) en prise.
10. Vidanger l'huile et remplacer le filtre. Remplacer l'huile par une huile moteur 10W30 (non synthétique) et remplacer le filtre à huile par un filtre PF25 AC Delco. Vérifier l'huile et le filtre à huile afin de repérer toute particule étrangère pour s'assurer que le moteur fonctionne correctement.
11. Rouler pendant les 500 milles suivants en conditions normales ou pendant 12 à 15 heures de moteur. Ne pas faire tourner le moteur à sa vitesse nominale maximale. De plus, ne pas exposer le moteur à des périodes prolongées de charge élevée.
12. Vidanger l'huile et remplacer le filtre. Vérifier l'huile et le filtre à huile de nouveau afin de repérer toute particule étrangère pour s'assurer que le moteur fonctionne correctement.
13. Ne pas utiliser d'huile synthétique pour le rodage. Il est conseillé d'utiliser de l'huile moteur synthétique après la deuxième vidange d'huile et le kilométrage recommandé. Dans les régions plus froides, une viscosité inférieure de l'huile peut être nécessaire pour un meilleur écoulement de l'huile.



## Spécifications du moteur SP383:

Cylindrée :	383 pouces cubes
Alésage x course :	4,005 po x 3,80 po
Compression :	9.7:1 nominal
Bloc :	fonte, boîtier intermédiaire à quatre boulons
Culasse :	« Fast Burn » en aluminium
Diamètre des soupapes (admission et échappement) :	2,00 po/1,55 po
Volume de la chambre :	62 cc
Vilebrequin :	Acier forgé 4340, joint arrière monobloc
Bielles :	5,7" forgées, boulons 3/8"
Pistons :	Hypereutectiques, alliage d'aluminium 244-T5
Segments :	Moly plasma
Arbre à cames :	Poussoir à galet hydraulique
Levée :	Admission 0,509 po, échappement 0,528 po
Durée :	Admission 222°, échappement 230° à une levée de poussoir de 0,050 po
Axe :	Admission après PMH 107°, échappement avant PMH 117°
Rapport des culbuteurs :	1,5:1
Chaîne de distribution :	8 mm à un seul galet
Carter d'huile :	5 pintes (avec nouveau filtre)
Pression d'huile (normale) :	40 psi à 2 000 tr/min
Huile recommandée :	10W30 synthétique (après rodage)
Filtre à huile :	N/P PF25 d'AC Delco N/P UPF25 haute qualité d'AC Delco
Jeu de soupape :	1/2 tour vers le bas depuis le jeu zéro
Carburant :	Supercarburant sans plomb - 92 (R+M/2)
Régime maximal du moteur :	6 000 tr/min
Bougies :	R44LTS pour usage général, R42LTS pour la course
Écartement des électrodes :	0,040 po
Point d'allumage :	32° maximum à 4 000 tr/min, avec avance par dépression déconnectée
Ordre d'allumage :	1-8-4-3-6-5-7-2

L'information peut varier selon l'application. Toutes les caractéristiques techniques énumérées sont basées sur les plus récentes données de production disponibles à la date d'impression.

**Pièces supplémentaires pouvant être requises :****Volant moteur / Plateau d'entraînement flexible :**

Comme tous les moteurs V-8 à petit bloc produits depuis 1986, le moteur SP383 présente un schéma de boulonnage de bride de volant moteur de 3,00 po de diamètre. Les moteurs V8 à bloc compact produits entre 1958 et 1985 ont un schéma de boulonnage de bride de volant moteur de 3,58 po de diamètre. Cette modification du diamètre du cercle de boulonnage a permis de poser un joint d'étanchéité de vilebrequin arrière monobloc. Ce moteur SP383 comprend un disque d'entraînement de 12 3/4 po de diamètre, numéro de pièce 14088765. Un volant moteur de boîte de vitesses manuelle est offert (numéro de pièce 14088650). Se reporter au catalogue ou visiter [www.chevroletperformance.com](http://www.chevroletperformance.com) pour en savoir plus.

**REMARQUE :** Vous devez utiliser un disque d'entraînement de 14 po de diamètre, si vous utiliser le convertisseur de couple Chevrolet Supermatic.

**Roulement-guide :**

On doit installer un roulement-guide derrière le vilebrequin si l'on prévoit utiliser le moteur conjointement avec une boîte manuelle. Le roulement-guide aligne l'arbre primaire de la boîte de vitesses avec l'axe central du vilebrequin. Un roulement-guide usé ou désaligné peut provoquer des anomalies de changement de vitesse et une usure rapide de l'embrayage. Un roulement-guide à rouleaux, numéro de pièce 14061685, est recommandé pour ce moteur. Ce roulement hautement résistant donne une marge de fiabilité supplémentaire à la transmission à hautes performances.

**Démarrreur :**

Ce moteur SP383 n'inclut pas de démarrreur. Le démarrreur doit correspondre au diamètre du volant moteur ou du plateau d'entraînement flexible pour le montage du moteur SP383. Les petits volants moteurs ont un diamètre de 12 3/4 po et une couronne de démarrreur à 153 dents. Les grands volants moteur ont un diamètre de 14 po et ont 168 dents sur la couronne du démarrreur. Cette différence de diamètre des volants moteurs nécessite deux boîtiers de démarrreur différents. Les nez de démarrreur utilisés avec un volant moteur de 14 po de diamètre ont deux orifices de boulons décalés ; les démarrreurs utilisés avec des volants moteurs de 12 3/4 po de diamètre ont des orifices de boulons en ligne droite.

Remarque : Les démarrreurs Chevrolet utilisent des boulons de fixation à épaulement spéciaux qui indiquent le démarrreur sur le bloc.

Les démarrreurs et le matériel suivants peuvent être utilisés avec le moteur SP383 :

10496870	Démarrreur haute résistance, remis à neuf pour volant moteur/plateau d'entraînement flexible de 12 3/4 po de diamètre
1876552	Démarrreur haute résistance pour volant moteur/tôle d'entraînement de 14 po de diamètre
14097278	Boulon, fixation du démarrreur, long, pour démarrreur haute résistance, 3/8 po-16 x 4,65 po de long
14097279	Boulon, fixation du démarrreur, long, pour démarrreur haute résistance, 3/8 po-16 x 1,85 po de long
19302919	Démarrreur, démultiplication à aimant permanent (PMGR) pour volant moteur/tôle d'entraînement de 14 po (10 lb)
14037733	Boulon, fixation du démarrreur, intérieur pour démarrreur PMGR de 12-3/4 po

**Carburateur / Filtre à air :**

Un carburateur de 750 ou 770 pi<sup>3</sup>/min à quatre corps avec enroulements à dépression et volet de départ électrique est recommandé pour le moteur SP383. Chevrolet Performance recommande d'utiliser le carburateur quadruple Holley 770 cfm, numéro de pièce 19170093 pour tirer le maximum du moteur et atteindre le couple et la puissance indiqués. On doit utiliser un filtre à air à faible restriction doté d'un élément en mousse ou en papier pour protéger le moteur contre l'usure excessive et diffuser l'air entrant dans le carburateur. La distribution du mélange de carburant peut être dérangée si aucun diffuseur n'est utilisé ce qui entraîne une mauvaise puissance et des ratés à régime moteur élevé. Toujours assurer un bon dégagement du capot à la pose d'un nouveau filtre à air. Chevrolet Performance Parts propose deux ensembles de filtre à air à élément ouvert chromés, de 14 po de diamètre, pour les carburateurs à quatre corps. La pièce numéro 141-306 disponible auprès de notre partenaire autorisé [www.factoryperformanceparts.com](http://www.factoryperformanceparts.com) a une surface unie, et la pièce numéro 141-302 disponible auprès de notre partenaire autorisé [www.factoryperformanceparts.com](http://www.factoryperformanceparts.com) est surmontée du logo Chevrolet. Ces deux ensembles sont fournis avec élément de filtre de 3 po de hauteur, numéro de pièce 6421746 (AC# A212cw). Un élément de 4 po de hauteur est également disponible, numéro de pièce 8997189 (AC# A698c).

**Pompe à carburant :**

Ce moteur SP383 n'inclut pas de pompe à carburant. Le circuit d'alimentation doit être en mesure de fournir un volume adéquat de carburant à une pression minimale de 6 psi lorsque le moteur tourne à pleine puissance (WOT). Une pompe à carburant en ligne à commande électrique à haut volume est disponible auprès de Chevrolet Performance Parts, numéro de pièce 25115899. Le débit de cette pompe robuste est de 72 gal/h à une pression de refoulement de 6-8 psi.

De plus, le moteur SP383 est conçu de manière à pouvoir accueillir une pompe à carburant mécanique. Deux pompes à carburant mécaniques sont disponibles auprès de Chevrolet. La pièce numéro 12355612 est recommandée pour la conduite sur route. La pièce numéro 12355613 est recommandée pour la conduite en compétition.

**Bougies d'allumage/Câbles de bougies :**

Les bougies recommandées pour le moteur SP383 ont le numéro de pièce 19300749 (AC# R44LTS), tant pour la conduite sur route que pour la compétition. Si vous prévoyez d'utiliser ce moteur principalement en compétition, vous pouvez choisir d'utiliser des bougies plus froides comme le modèle R42LTS. Si vous installez le moteur dans un véhicule équipé d'origine d'un moteur V-8 à petit bloc avec allumage à haute énergie (HEI), des câbles de bougie de remplacement standard peuvent être utilisés.

Le moteur SP383 n'inclut pas de câbles de bougies. Les pièces numéro 12361051 peuvent être utilisées. Ces câbles robustes sont équipés de coiffes de bougies à 90°, et le logo Chevrolet Performance est visible sur les câbles. Chevrolet Performance Parts vend des ensembles de fils isolés pour bougies d'allumage, numéro de référence GM 12496806. Les supports dans cet ensemble sont en inox, avec un logo « nœud papillon » gravé au laser à l'intérieur. Cet ensemble peut être utilisé avec le SP383. Les supports sont boulonnés sur le côté des culasses.

**Système PCV :**

Le moteur SP383 n'inclut pas d'œillets de cache-culbuteurs. Il est recommandé d'utiliser des œillets de numéro de pièce 3989350 avec ces cache-culbuteurs.

1. Poser la soupape PCV, numéro de pièce 6487779, dans l'œillet du cache-culbuteur situé du côté gauche du moteur.
2. Fixer une extrémité du flexible PCV, numéro de pièce 9438373, à la soupape PCV. Attacher l'autre extrémité du tuyau flexible à l'ouverture arrière du carburateur.
3. Ajouter un reniflard au couvercle des soupape de droite, comme un 19131218. Le système PCV doit être doté d'une admission d'air frais afin de fonctionner correctement.

**Thermostat :**

L'utilisation d'un thermostat à 180 °F, numéro de pièce 10202456, est recommandée pour le système de refroidissement. Utiliser également un boîtier de thermostat de numéro de pièce 10108470 et un joint de numéro de pièce 10105135.

**Distributeur :**

Chevrolet recommande d'utiliser le distributeur HEI, numéro de pièce 93440806, sur le moteur SP383. Il a été utilisé tout au long des essais effectués sur ce moteur ainsi que de nombreux autres moteurs en caisse et a subi différents tests. Le distributeur HEI comprend une roue d'entraînement durcie (mélonisée) compatible avec un arbre à cames en acier. L'utilisation d'une roue non durcie entraîne une usure excessive. Pour installer le distributeur, utiliser le connecteur numéro de pièce 8917052 pour fixer le câble du tachymètre au distributeur. Vous aurez également besoin d'un collier de serrage numéro de pièce 10096197 et d'une fixation numéro de pièce 09439905 pour fixer le distributeur à la tubulure d'admission. Lors de l'installation du distributeur, il est recommandé d'utiliser un lubrifiant de type « Moly-Lube », appliqué sur la roue d'entraînement du distributeur. Appliquer une couche généreuse de Moly-Lube sur la roue d'entraînement à l'aide d'un petit pinceau. Ce lubrifiant facilitera l'interaction entre la roue d'entraînement du distributeur et celle de l'arbre à cames lors du démarrage.

**Collecteurs d'échappement :**

Pour une performance maximale, le moteur SP383 à haute performance doit être installé avec deux collecteurs d'échappement à haute performance. Les collecteurs d'échappement utilisés lors du développement du moteur SP383 avaient un diamètre de tube principal de 1,75 po. Ces tubes principaux faisaient environ 32,00 po de longueur et avaient des collecteurs de 3,00 po de diamètre. Pour optimiser la performance de votre moteur SP383 à haute performance, utiliser une combinaison similaire ainsi qu'un système d'échappement performant équipé d'un tuyau d'équilibrage (tuyau en H) et de silencieux à faible restriction.



**Liste des pièces de rechange SP383 :**

<u>Numéro de pièce</u>	<u>Quantité</u>	<u>Nom</u>	<u>Numéro de pièce</u>	<u>Quantité</u>	<u>Nom</u>
88962516	1	Ensemble bloc-moteur	12557558	1	Carter d'huile
19300955	2	Ensemble de culasse, avec soupapes	12553058	1	Renfort, carter d'huile
19303150	2	Trousse de 8 cales pour ressorts coniformes	12553059	1	Renfort, carter d'huile
12625033	16	Ressort-soupape	93442037	1	Ens. pompe à huile
10212810	16	Bague d'étanchéité d'huile de tige de soupape	12550042	1	Ens. tamis de pompe à huile
19303149	2	Trousse de 8 chapeaux pour ressorts coniformes	3998287	1	Arbre, Entraînement pompe à huile
19302868	2	Trousse de 16 clavettes pour ressorts coniformes	3764554	1	Dispositif de retenue d'arbre d'entraînement de pompe à huile
12555331	8	Soupape-admission	12551154	1	Ens. tube indicateur de niveau d'huile
12551313	8	Soupape-échappement	12551144	1	Ens. indicateur de niveau d'huile
12552126	16	Goujon-bille de culbuteur	12594364	1	Rondelle de moyeu de poulie de vilebrequin
12499103	1	Trousse de pistons, avec axes (0,005 po O/S) jeu de 8	88894341	1	Trousse de pompe, eau
12499107	1	Trousse de segments de piston (0,005 po O/S) jeu de 8	03754587	2	Joint-avec pompe
19355718	8	Ens. bielle	10241740	16	Ensemble bielle-poussoir de soupape
12489436	1	Vilebrequin en acier forgé de 3,800 po	19210728	1	Trousse, culbuteur
12499102	1	Trousse de palier principal de vilebrequin (Std)	10168501	1	Dispositif de retenue-arbre à cames
17800761	1	Trousse de palier de bielle (Std)	19210723	1	Arbre à cames
10168527	16	Boulon/vis-culasse (court)	17120735	16	Poussoir, soupape
10168526	4	Boulon/vis-culasse (moyen)	12550002	8	Guide-poussoir de soupape
10168525	14	Boulon/vis-culasse (long)	12562818	1	Ens. couvercle avant du moteur
14088764	6	Boulon/vis, volant moteur	10228655	1	Ens joints, huile vilebrequin Av
10105117	2	Joint-culasse	10213294	8	Bague, couvercle avant du moteur
12555771	1	Joint-Logement de bague d'étanchéité arrière de vilebrequin	12555269	2	Ensemble cache-culbuteur
10108676	1	Joint, carter d'huile	12552129	1	Pignon-arbre à cames
10046089	2	Joint-cache-culbuteur	14088784	1	Pignon, vilebrequin
12561389	3	Goujon de chapeau de palier de vilebrequin	14088783	1	Chaîne-distribution de l'arbre à cames
14101058	1	Goujon de retenue de bague d'étanchéité arrière de vilebrequin	12496822	01	Groupe de tubulure, d'admission
14088556	1	Logement de bague d'étanchéité arrière de vilebrequin	19301684	02	Joint, tubulure d'admission
12554816	1	Déflexeur d'huile de vilebrequin	24504713	08	Boulon/vis, adaptateur de filtre à huile
14088765	1	Ensemble de disque d'entraînement			
12498008	1	Amortisseur de torsion			



## Especificaciones de motor armado SP383 Deluxe

Número de parte de especificaciones 19355753

Esta hoja de especificaciones de motor deluxe SP383 se debe usar junto con la hoja de especificaciones de bloque corto 383, número de parte 19355750.

Gracias por elegir Chevrolet Performance Parts como su fuente de alto desempeño. Chevrolet Performance Parts está comprometido a proporcionar tecnología de desempeño comprobada e innovadora que en realidad... sea más que sólo potencia. Chevrolet Performance Parts están diseñadas, desarrolladas y probadas para exceder sus expectativas de ajuste y función. Por favor consulte nuestro catálogo respecto al Centro Autorizado de Chevrolet Performance Parts más cercano a usted o visite nuestra página en Internet [www.chevroletperformance.com](http://www.chevroletperformance.com).

Esta publicación brinda información general sobre los componentes y procedimientos que pudieran ser útiles al instalar o dar servicio a un motor SP383. Por favor lea esta publicación completa antes de comenzar el trabajo. Además, por favor verifique que todos los componentes indicados en la sección de contenido de paquete a continuación se enviaran en el juego.

La siguiente información se divide en las siguientes secciones: contenido del paquete, información de componente, especificaciones de motor SP383, partes adicionales que puede necesitar comprar, especificaciones de apriete, y una lista de partes de servicio.

El motor SP383 incorpora tecnología moderna en un paquete que se puede instalar en aplicaciones donde se usaba originalmente un motor V-8 de bloque pequeño Chevrolet de 265-400ci. Este motor completo se ensambla utilizando componentes nuevos de primera calidad. Debido a la amplia variedad de vehículos en los que se puede instalar el motor SP383, algunos procedimientos y recomendaciones pueden no aplicar a aplicaciones específicas.

El motor SP383 consiste en un bloque de motor de hierro fundido, ensambles de culata de cilindro de "Quemado rápido" de aluminio fundido, cigüeñal de acero forjado, pistones hipereutéticos, bielas de metal en polvo, árbol de levas de desempeño, y elevadores de rodillo hidráulico.

El motor SP383 está fabricado en herramientas de producción actuales; en consecuencia puede encontrar diferencias entre el ensamble de motor de SP383 y versiones previas del V-8 de bloque pequeño. En general, elementos tales como los montajes de motor, transmisiones auxiliares, múltiples de escape, etc. se puede transferir a un SP383 cuando esté instalado en un vehículo equipado originalmente con un motor V-8 de bloque pequeño. Sin embargo, como se observa en las siguientes secciones, puede haber diferencias menores entre un motor SP383 y un motor V-8 de bloque pequeño anterior. Estas diferencias pueden requerir modificaciones o componentes adicionales no incluidos con el motor SP383. Cuando instale un motor SP383 en un vehículo no equipado originalmente con un V-8 de bloque pequeño, puede ser necesario adaptar o fabricar varios componentes para los sistemas de enfriamiento, combustible, eléctrico y de escape.

No se pretende que estas especificaciones reemplace las prácticas de servicio completas y detalladas explicadas en los manuales de servicio de fábrica.

Para información sobre cobertura de la garantía, por favor póngase en contacto con su concesionario local de Chevrolet Performance Parts.

Observe todas las precauciones de seguridad y advertencias de los manuales de servicio durante la instalación de un motor SP383 en cualquier vehículo. Utilice protección para los ojos y ropa de protección adecuada. Cuando trabaje debajo o alrededor del vehículo, apóyelo firmemente con soportes de gato. Sólo use las herramientas adecuadas. Tenga mucha precaución cuando trabaje con líquidos y materiales inflamables, corrosivos y peligrosos. Algunos procedimientos requieren equipo y habilidades especiales. Si no tiene la capacitación, experiencia, y herramientas apropiadas para realizar cualquier parte de esta conversión con seguridad, este trabajo debe ser realizado por un profesional.

La información contenida en esta publicación se presenta sin ninguna garantía. El usuario asume completamente todo el riesgo por su uso. El diseño de componentes específicos, los procedimientos mecánicos, y las calificaciones de los lectores están más allá del control del editor, y por lo tanto el editor declina cualquier responsabilidad incurrida en conexión con el uso de la información provista en esta publicación.

### **Información Legal y de Emisiones**

Se pretende que esta publicación proporcione información sobre el motor SP383 y los componentes relacionados. Este manual también describe los procedimientos y modificaciones que pueden ser útiles durante la instalación de un motor SP383. No está diseñada para sustituir a los exhaustivos manuales de servicio y catálogos de partes que cubren los motores y componentes Chevrolet. Más bien, está diseñada para brindar información complementaria en áreas de interés para los entusiastas del "hágalo usted mismo" y los mecánicos.

Esta publicación concierne a motores y vehículos que se utilizan fuera de las carreteras públicas, excepto cuando se indica específicamente lo contrario. La ley federal restringe el retiro de cualquier parte de un sistema de control de emisiones requerido por orden federal de los vehículos de motor. Más aún, muchos estados han promulgado leyes que prohíben alterar o modificar cualquier sistema de control de emisiones o ruidos. Los vehículos que no son operados en carreteras públicas generalmente están exentos de la mayoría de las normas, al igual que algunos vehículos de interés especial y pre-emisiones. Se le exhorta atentamente al lector verificar todas las leyes locales y estatales aplicables.

Muchas de las partes descritas o enlistadas en este manual se comercializan para su aplicación fuera de carretera, y están etiquetadas con el "Aviso sobre Partes Especiales" que se reproduce aquí:

### **Aviso de Partes Especiales**

Esta parte ha sido diseñada específicamente para aplicación fuera de carretera únicamente. Debido que la instalación de esta parte puede afectar el desempeño del control de emisiones de su vehículo o dejarlo fuera de certificación según los Estándares de seguridad de vehículos de motor, no se debe instalar en un vehículo que se utilice en cualquier calle o carretera. Adicionalmente, cualquier aplicación tal puede afectar adversamente la cobertura de la garantía de tales vehículos para aplicación en calles o carreteras.

Chevrolet, Chevy, el Emblema de Corbatín Chevrolet, General Motors, y GM son marcas comerciales registradas de General Motors Company.

### **Contenido del paquete:**

<b><u>Partida</u></b>	<b><u>Descripción</u></b>	<b><u>Cantidad</u></b>	<b><u>Número de parte</u></b>
1	Conjunto del motor	1	19355672
2	Instrucciones de motor Deluxe	1	19355753
3	Instrucciones de bloque corto	1	19355750

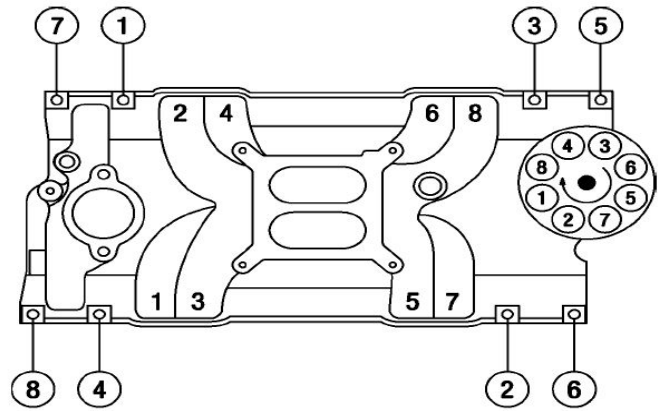
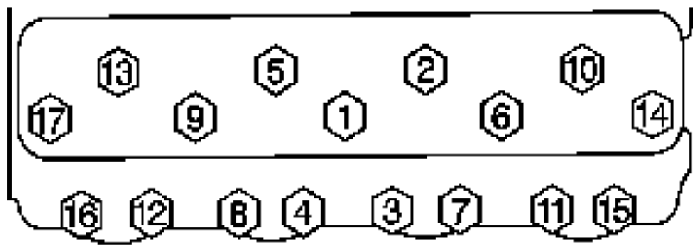


Especificaciones de apriete de motor SP383:

- Perno de retenedor de árbol de levas ..... 106 pulg. lb. / 12 Nm (Loctite azul)
- Perno de corona dentada de árbol de levas ..... 22 pies lb. / 30 Nm (Loctite azul)
- Perno de tuerca de biela .....45 pies lb. / 61 Nm (aceite de peso 30)
- Perno de carburador
  - Primer pase ..... 5 pies lb. / 7 Nm (aceite de peso 30)
  - Segundo pase ..... 10 pies lb. / 14 Nm
  - Pase final..... 12 pies lb. / 16 Nm
- Perno de balanceador de cigüeñal..... 63 pies lb. / 85 Nm (Loctite azul)
- Polea de balanceador de cigüeñal ..... 35 pies lb. / 47 Nm (Loctite azul)
- Perno prisionero de cojinete de cigüeñal (interno)..... 70 pies lb. / 95 Nm (aceite de peso 30)
- Perno prisionero de cojinete de cigüeñal (externo).... 65 pies lb. / 88 Nm (aceite de peso 30)
- Tuerca/perno de alojamiento de sello  
de aceite trasero de cigüeñal ..... 11 pies lb. / 15 Nm (aceite de peso 30)
- Perno de culata de cilindro (en secuencia).  
Vuelva a apretar el perno después de operar el motor durante 10 horas.
  - Primer pase ..... 25 pies lb. / 34 Nm (Sellador de tubo de teflón)
  - Segundo pase ..... 40 pies lb. / 54 Nm
  - Pase final..... 65 pies lb. / 88 Nm
- Perno de distribuidor ..... 25 pies lb. / 34 Nm (ninguno)
- Tapones de galería de aceite de bloque de motor
  - 1/8" NPT/hierro fundido ..... 15 pies lb. / 20 Nm (Sellador de tubo de teflón)
  - 1/4" NPT/hierro fundido ..... 20 pies lb. / 27 Nm (Sellador de tubo de teflón)
  - 3/8" NPT/aluminio..... 20 pies lb. / 27 Nm (Sellador de tubo de teflón)
  - 1/2" NPT/aluminio..... 25 pies lb. / 34 Nm (Sellador de tubo de teflón)
- Perno de cubierta delantera de motor..... 97 pulg. lb. / 11 Nm (Loctite azul)
- Perno de volante de inercia..... 65-70 pies lb. / 88-95 Nm (Loctite azul)
- Cubierta de bomba de combustible
  - Perno de 1/4"..... 97 pulg. lb. / 11 Nm (Loctite azul)
  - Perno de 3/8" ..... 30 pies lb. / 40 Nm (Loctite azul)
- Perno de múltiple de admisión (en secuencia).  
Vuelva a apretar el perno después de operar el motor durante 10 horas.
  - Primer pase ..... 97 pulg. lb. / 11 Nm (Sellador de tubo de teflón)
  - Pase final..... 11 pies lb. / 15 Nm
- Perno de adaptador de filtro de aceite ..... 18 pies lb. / 24 Nm (Loctite azul)
- Perno de tubo de indicador de nivel de aceite ..... 106 pulg. lb. / 12 Nm (Loctite azul)

Ensamble de cárter de aceite

- Tuerca/perno de esquina..... 15 pies lb. / 20 Nm (Loctite azul)
- Perno de riel lateral ..... 97 pulg. lb. / 11 Nm
- Tapón de drenaje de cárter de aceite..... 15 pies lb. / 20 Nm (aceite de peso 30)
- Perno de bomba de aceite a tapa de cojinete de cigüeñal trasero ..... 66 pies lb. / 90 Nm (aceite de peso 30)
- Perno de cubierta de bomba de aceite ..... 80 pulg. lb. / 9 Nm (Loctite azul)
- Perno de brazo de balancín ..... 50 pies lb. / 68 Nm (Loctite azul)
- Perno de cubierta de estribo ..... 106 pulg. lb. / 12 Nm (aceite de peso 30)
- Bujía ..... 15 pies lb. / 20 Nm (aceite de peso 30)
- Perno de motor de arranque ..... 35 pies lb. / 48 Nm (Loctite azul)
- Perno de alojamiento de termostato ..... 25 pies lb. / 34 Nm (Loctite azul)
- Perno de retenedor de guía de elevador de válvula .. 18 pies lb. / 24 Nm (Loctite azul)
- Perno de bomba de agua..... 30 pies lb. / 40 Nm (aceite de peso 30)
- Tuerca de charola de efecto de viento ..... 30 pies lb. / 40 Nm (aceite de peso 30)



**ORDEN DE EXPLOSIÓN 1-8-4-3-6-5-7-2**



**Información sobre los componentes:****Bloque**

El bloque ZZ383 es un diseño de 1986 y posterior (sello principal trasero de 1 pieza). El bloque está barrenado y la placa de la cubierta del bloque rectificadas a un tamaño terminado de 4.005". Las características incluyen 4 principales intermedios, con espacios para un cigüeñal de pistones de 3.80", y maquinado para un rodillo hidráulico o elevadores de válvula hidráulica planos.

**Cigüeñal**

El motor ZZ383 viene con un cigüeñal forjado número de parte 12489436. Las características del cigüeñal se describen a continuación:

- ◆ Carrera de 3.800"
- ◆ Balanceado externamente
- ◆ Muñones principales de 2.45"/muñones de varilla de 2.10"
- ◆ Radio sobre muñones principales y de varilla
- ◆ Principal trasero de estilo de una pieza
- ◆ Pasadores de manivela número 1 y 4 huecos
- ◆ Varilla y orificio de aceite principal biselado
- ◆ Círculo de perno de brida de manivela de 3.000"
- ◆ Aleación de acero 4340, tratada con nitrilo

**Bielas**

Biela de metal en polvo de acero con línea de centro de barrenado de pasador de manivela a línea de centro de barrenado de pasador de pistón es de 5.700". Se maquinó para librar los árboles de levas en la mayoría de las aplicaciones de leva y pistón de bloque pequeño.

**Cojinetes de motor**

Los cojinetes principales del motor, número de parte 12499102, tienen un diseño de ranura de 3/4 que mantiene el área de superficie completa en la porción más cargada del cojinete principal inferior, mientras permite el flujo de aceite mejorado al cojinete de la varilla. Los cojinetes principales #1-4 están fabricados a partir de una aleación H-14 (cuatro metales) y tienen respaldo de acero endurecido hecho de acero SAE 1020. El cojinete de brida #5 está fabricado a partir de una aleación H-24 (tres metales) y tiene respaldo de acero endurecido hecho de acero SAE 1008-1010.

Los cojinetes de varilla, número de parte 17800761, presentan bisel completo en un lado para acomodar el radio del muñón del cigüeñal. Los cojinetes de varilla están fabricados a partir de una aleación H-14 (cuatro metales) y tienen respaldo de acero endurecido hecho de acero SAE 1020.

**Pistones**

Nuevos pistones de parte superior plana hipereutéticos de alto desempeño que presentan un recubrimiento de faldón especial diseñado para operar con un pistón para un claro de pared de cilindro de .0010"-.0015" incluyendo el recubrimiento. Estos pistones se diseñaron para aprovechar al máximo las placas de la cubierta y el bloque de motor rectificado con precisión. También presentan un pasador de pistón presionado.

**Culatas de cilindro**

Las culatas de cilindro de "quemado rápido" de aluminio tienen el potencial de mayor desempeño de cualquier culata de cilindro de bloque pequeño de 23° desarrolladas por Chevrolet. El nombre "Quemado rápido" se refiere a la capacidad de las culatas de cilindro de quemar rápida y completamente la mezcla de aire combustible, lo que resulta en mayores presiones de cilindro y más potencia. La forma de la cámara de combustión está diseñada para lograr este "Quemado rápido" con pistones de parte superior plana. Como los suministrados con el paquete de motor. La culata de "Quemado rápido" acepta las cubiertas de balancín de perno central y de brida de cuatro pernos de estilo anterior. Las superficies de empate del múltiple de admisión están perforadas y roscadas para múltiples de admisión Vortec y de estilo de puerto levantado convencional. Se usa un múltiple estilo Vortec en esta aplicación.

Este motor está equipado con culatas de cilindro 19300955 que también pueden identificarse fácilmente por tener un Corbatín Chevrolet grabado en el extremo de la culata. Estas culatas están equipadas con los resortes de válvula estilo "colmena" de motor LS que son de color azul.

**Precaución**

Este ensamble de motor necesita llenarse con aceite y cebarse. Debe agregar el aceite especificado (vea las instrucciones de arranque) a su nuevo motor. Revise el nivel de aceite del motor en la varilla de medición y agregue de manera acorde.

**Procedimientos de arranque y de asentamiento**

1. Después de instalar el motor, asegúrese de que el cárter se haya llenado con el aceite para motor 10w30 (no sintético) hasta el nivel de llenado de aceite recomendado en la varilla de medición. Además verifique y rellene conforme se requiera cualquier otro fluido necesario tal como refrigerante, líquido de dirección hidráulica, etc.
2. El motor se debe cebar con aceite antes de arrancar. Siga las instrucciones incluidas con la herramienta. Para cebar el motor, primero retire el distribuidor para permitir el acceso al eje de impulso de la bomba de aceite. Instale la herramienta de cebado de aceite, 141-955 a partir de nuestro socio autorizado [www.factoryperformanceparts.com](http://www.factoryperformanceparts.com). Con un motor de taladro de 1/2", gire la herramienta de cebado de aceite de motor durante tres minutos. Mientras está cebando el motor, pida que alguien más gire el cigüeñal en sentido contrario a las manecillas del reloj para suministrar aceite a través del motor y a todas las superficies de cojinete antes que se arranque inicialmente el motor. Ésta es la manera segura de que llegue el aceite a los cojinetes antes de arrancar el motor por primera vez. Además, cebe el motor si permanece asentado por periodo extendidos de tiempo. Instale el Distribuidor como sigue: (1) Localice el centro muerto superior (TDC) del cilindro #1. (2) Gire el motor a 12 grados antes del centro muerto superior (BTDC). (3) Alinee el rotor con la terminal del cilindro #1 en el Distribuidor.

Después que el motor se haya instalado en el vehículo, vuelva a verificar el nivel de aceite y agregue aceite conforme se requiera. También es una buena práctica volver a verificar la sincronización de ignición después de la desinstalación y reinstalación del distribuidor. Vea el paso 4 o las especificaciones del motor respecto a la información de sincronización correcta.

3. La seguridad primero. Si el vehículo está en el suelo, asegúrese de poner el freno de emergencia y de que las ruedas y la transmisión estén bloqueadas. Verifique que todo esté instalado correctamente y que no falte nada.
4. Arranque el motor y ajuste la sincronización inicial. Si usa un distribuidor HEI, ajuste la sincronización de chispa en 32 grados antes del centro muerto superior (BTDC) en 4,000 RPM con la línea de avance de vacío al distribuidor desconectado y conectado. El depósito de avance de vacío debe permanecer desconectado. Este motor está diseñado para operar usando sólo el avance centrífugo interno para lograr la curva de sincronización correcta. Gire el distribuidor en sentido contrario a las manecillas del reloj para avanzar la sincronización. Gire el distribuidor en sentido de las manecillas del reloj para retardar la sincronización.
5. Cuando sea posible, siempre debe permitir que el motor se caliente antes de empezar a conducir. Es una buena práctica dejar que la temperatura del cárter del aceite y del agua llegue a 180°F antes de levantar cargas pesadas o de acelerar a fondo.
6. Una vez que el motor esté caliente, ajuste la sincronización de avance total a 32° en 4000 RPM.
7. El motor se debe conducir con diversas cargas y en diferentes condiciones las primeras 30 millas o una hora sin acelerador completamente abierto (WOT) o sin aceleraciones sostenidas a RPM altas.
8. Acelere cinco o seis veces a la mitad (50%) hasta unas 4,000 RPM y regrese a marcha en vacío (0% aceleración) con la velocidad puesta.
9. Acelere dos o tres veces a fondo (100% acelerador completamente abierto) hasta unas 4,000 RPM y regrese a marcha en vacío (0% aceleración) con la velocidad puesta.
10. Cambie el aceite y el filtro. Reemplace con aceite de motor 10w30 (no sintético) y un filtro de aceite AC Delco PF25. Revise si el aceite o el filtro tiene partículas extrañas para asegurar que el motor funcione correctamente.
11. Conduzca las siguientes 500 millas bajo condiciones normales o 12 a 15 horas. No opere el motor a su capacidad de velocidad máxima. De igual manera, no exponga el motor a periodos largos de carga pesada.
12. Cambie el aceite y el filtro. Nuevamente, revise si el aceite y filtro de aceite tienen partículas extrañas para asegurar que el motor funcione correctamente.
13. No use aceite sintético para asentamiento. Será adecuado usar aceite de motor sintético después del segundo cambio de aceite recomendado y acumulación de kilometraje. En regiones más frías, se puede requerir un aceite de menor viscosidad para mejores características de flujo.



Especificaciones de motor SP383:

Desplazamiento:	383 pulgadas cúbicas
Diámetro x Carrera:	4.005 x 3.80 pulgadas
Compresión	9.7:1 nominal
Bloque:	Hierro fundido, principal intermedio de cuatro pernos
Culata de cilindro:	"Quemado rápido" de aluminio
Diámetro de válvula (Admisión/Escape):	2.00"/1.55"
Volumen de la cámara:	62cc
Cigüeñal:	Acero forjado 4340, sello trasero de 1 pieza
Bielas:	5.7" forjado, pernos de 3/8"
Pistones:	Hipereutéticos, aleación de aluminio 244-T5
Anillos:	Molibdeno de plasma
Árbol de levas:	Levantador hidráulico del rodillo
Elevación:	.509" admisión, .528" escape
Duración:	222° admisión, 230° escape @ .050" de elevación del levantador
Línea de centro:	107° ATDC admisión, 117° BTDC escape
Relación del brazo balancín:	1.5:1
Cadena de sincronización:	Diseño de rodillo sencillo de 8 mm
Cárter de aceite:	5 cuartos (con filtro nuevo)
Presión de aceite (Normal):	40 psi @ 2,000 RPM
Aceite recomendado:	10W30 sintético (después de asentamiento)
Filtro de aceite:	AC Delco parte # PF25
	Premium AC Delco parte # UPF25
Ajuste de válvula:	1/2 de vuelta hacia abajo desde ajuste a cero
Combustible:	Premium sin plomo - 92 (R+M/2)
Velocidad máxima del motor:	6,000 RPM
Bujías:	R44LTS para uso general: R42LTS para carreras
Distancia entre bujías	.040"
Sincronización de chispa:	32° máximo @ 4,000 RPM con avance de vacío desconectado
Orden de explosión:	1-8-4-3-6-5-7-2

La información puede variar según la aplicación. Todas las especificaciones enumeradas están basadas en la información sobre la última producción disponible al momento de la impresión.



**Partes adicionales que se pueden necesitar:**

**Volante de inercia / Placa flexible:**

Como todos los motores V-8 de bloque pequeño producidos desde 1986, el motor SP383 tiene un patrón de perno de brida de volante de inercia de 3.00" de diámetro. Los motores V-8 de bloque pequeño producidos desde 1958 hasta 1985 tenían un patrón de perno de brida de volante de inercia de 3.58". Este cambio en el diámetro del círculo de perno se hizo para acomodar un sello principal trasero de una pieza resistente a fugas. Este motor SP383 incluye una placa flexible de 12 3/4" número de parte 14088765. Un volante de inercia de transmisión manual está disponible (número de parte 14088650). Vea el catálogo o visite [www.chevroletperformance.com](http://www.chevroletperformance.com) respecto a mayor información.

**NOTA:** Debe usar una placa flexible de 14" de diámetro si usa el convertidor de par Chevrolet Supermatic.

**Cojinete piloto:**

Debe instalar un cojinete piloto en la parte trasera del cigüeñal si el motor se va a usar con una transmisión manual. El cojinete piloto alinea el eje de entrada de la transmisión con la línea central del cigüeñal. Un cojinete piloto gastado o mal alineado puede causar problemas con los cambios y un desgaste rápido del embrague. Se recomienda un cojinete piloto de rodillo, número de parte 14061685 para este motor. Este cojinete de servicio pesado agrega un margen adicional de confiabilidad a un tren motriz de alto desempeño.

**Motor de arranque:**

Este motor SP383 no incluye un motor de arranque. El motor de arranque se debe emparejar al diámetro del volante de inercia o placa flexible cuando se instale un motor SP383. Los volantes de inercia de diámetro pequeño tienen 12-3/4" en diámetro y tienen una corona dentada de motor de arranque con 153 dientes. Los volantes de inercia de diámetro grande tienen 14" en diámetro y tienen 168 dientes en la corona dentada del motor de arranque. Esta diferencia en diámetros de volante de inercia requiere dos alojamientos de motor de arranque diferentes. Las puntas de motor de arranque usadas con el volante de inercia de 14" de diámetro tienen dos orificios de perno de compensación; los motores de arranque usados con volantes de inercia de 12-3/4" de diámetro tienen orificios de perno que son rectos y cruzan entre sí.

Nota: Los motores de arranque Chevrolet usan pernos de montaje con reborde especial que registran en motor de arranque sobre el bloque.

Los siguientes motores de arranque y hardware se pueden usar con el motor SP383:

10496870	Servicio pesado, motor de arranque refabricado para volante de inercia/placa flexible de 12-3/4" de diámetro
1876552	Servicio pesado, motor de arranque para volante de inercia/placa flexible de 14" de diámetro
14097278	Perno, montaje de motor de arranque, largo, para motor de arranque de servicio pesado, 3/8"-16 x 4.65" de largo
14097279	Perno, montaje de motor de arranque, largo, para motor de arranque de servicio pesado, 3/8"-16 x 1.85" de largo
19302919	Motor de arranque de reducción de velocidad de imán permanente (PMGR) para volante de inercia/placa flexible de 14" (10 lbs.)
14037733	Perno, montaje de motor de arranque, interno para motor de arranque PMGR de 12-3/4"

**Carburador/Depurador de aire:**

Se recomienda un carburador de cuatro barriles de 750 o 770 cfm con secundarios mecánicos operados por vacío y estrangulador eléctrico para el motor SP383. Chevrolet Performance recomienda usar el carburador de cuatro barriles Holley 770 cfm número de parte 19170093 para aprovechar al máximo la capacidad del motor y lograr las clasificaciones de caballos de fuerza y torsión indicadas. Se debe usar un depurador de aire de baja restricción de elemento de espuma o papel para proteger el motor contra desgaste excesivo y distribuir el aire que entra al carburador. La distribución de la mezcla de combustible se puede perturbar si no se usa difusor causando potencia deficiente y falla de encendido en altas velocidades del motor. Siempre revise el espacio adecuado del cofre cuando instale un nuevo depurador de aire. Chevrolet Performance Parts tiene dos ensambles de depurador de aire de elemento abierto cromados de 14 pulgadas de diámetro para carburadores de cuatro barriles sencillos. El número de parte 141-306 disponible a partir de nuestro socio con licencia [www.factoryperformanceparts.com](http://www.factoryperformanceparts.com), tiene una parte superior plana y el número de parte 141-302 disponible a partir de nuestro socio con licencia [www.factoryperformanceparts.com](http://www.factoryperformanceparts.com), tiene un logotipo Chevrolet. Estos dos ensambles son suministrados con un elemento de filtro alto de 3 pulgadas, número de parte 6421746 (AC# A212cw). Un elemento de 4 pulgadas más alto está disponible, número de parte 8997189 (AC# A698c).



**Bomba de combustible:**

Este motor SP383 no incluye una bomba de combustible. El sistema de combustible debe ser capaz de suministrar volumen de combustible adecuado en un mínimo de 6 psi cuando el motor opera en acelerador completamente abierto (WOT). Una bomba de combustible eléctrica en línea de alto volumen está disponible a partir de Chevrolet Performance Parts, número de parte 25115899. Esta bomba de servicio pesado hace fluir 72 galones por hora en 6-8 psi de presión de salida.

Además, el motor SP383 tiene una provisión para una bomba de combustible mecánica. Hay dos bombas de combustible mecánicas disponibles a partir de Chevrolet. Se recomienda el número de parte 12355612 para desempeño en calle. Se recomienda el número de parte 12355613 para competencia.

**Bujías/Cables de bujías:**

Las bujías recomendadas para el motor SP383 son el número de parte 19300749 (AC# R44LTS). Éstas son para uso de calle general y de desempeño. Si planea usar este motor principalmente para carreras de competencia, puede desear cambiar a una bujía más fría como R42LTS. Si instala el motor en un vehículo equipado originalmente con bloque pequeño V-8 con ignición de alta energía (HEI), se pueden usar cables de bujía de reemplazo estándar. El motor SP383 no incluye cables de bujía. Se puede usar el número de parte 12361051. Estos cables de servicio pesado vienen con fundas de bujía de 90°, y el logotipo de Chevrolet Performance estampado en los cables. Chevrolet Performance vende un juego de cableado de bujía, número de parte 12496806. Los soportes en este juego son de acero inoxidable, con un corte láser del logotipo de "Corbatín" en ellos. Este juego se puede usar con el motor SP383. Los soportes se atornillan al lado de las culatas de cilindro.

**Sistema PCV:**

El motor SP383 no viene con pasacables de cubierta de estribo. Se recomienda usar el pasacables número de parte 3989350 con estas cubiertas de estribo.

1. Instale la válvula PCV, número de parte 6487779, dentro del pasacables en la cubierta del estribo en el lado izquierdo del motor.
2. Conecte un extremo de la manguera PCV, número de parte 9438373, a la válvula PCV. Sujete el otro extremo de la manguera al puerto trasero sobre el carburador.
3. Agregue un respirador a la cubierta de la válvula derecha tal como 19131218. El sistema de PCV debe tener una admisión de aire fresco para funcionar adecuadamente.

**Termostato:**

Se recomienda que el sistema de enfriamiento tenga un termostato de 180°F, número de parte 10202456. Además, use el alojamiento de termostato, número de parte 10108470, y el empaque, número de parte 10105135.

**Distribuidor:**

Chevrolet recomienda el uso del distribuidor HEI, número de parte 93440806, en el motor SP383. Se usó durante la prueba en éste y muchos otros motores armados y ha pasado varias pruebas. El distribuidor HEI incorpora un mecanismo de transmisión endurecido que es compatible con el árbol de levas de acero. El uso de un mecanismo no endurecido resultará en desgaste excesivo. Para instalar el distribuidor use el conector, número de parte 8917052, para conectar el cable del tacómetro al distribuidor. También necesitará una abrazadera de sujeción del distribuidor, número de parte 10096197, y un sujetador, número de parte 09439905, para asegurar el distribuidor al múltiple de admisión. Cuando instale el distribuidor se recomienda usar lubricante tipo "lubricante de Molibdeno" aplicado al mecanismo del distribuidor. Recubra el mecanismo generosamente con el lubricante de molibdeno con un cepillo pequeño. Este lubricante ayudará en el asentamiento del mecanismo del distribuidor y el mecanismo del árbol de levas durante el arranque.

**Cabezales:**

El motor de alto desempeño SP383 se debe instalar con un par de cabezales de alto desempeño para máximo desempeño. Los cabezales usados durante el desarrollo del SP383 tenían tubos primarios de 1.75" de diámetro. Los tubos primarios tenían aproximadamente 32.00" de longitud y tenían colectores de 3.00" de diámetro. Usar una combinación similar en su aplicación, junto con un sistema de escape de desempeño con un tubo de balance (tubo "H") y silenciadores de baja restricción, proporcionará el desempeño óptimo de su motor de Alto desempeño SP383.



**Lista de partes de servicio SP383:**

<u># de parte</u>	<u>Cantidad</u>	<u>Nombre</u>	<u># de parte</u>	<u>Cantidad</u>	<u>Nombre</u>
88962516	1	Ensamble de bloque, motor	12554816	1	Deflector-Aceite de cigüeñal
19300955	2	Ensamble de culata, cilindro con válvulas	14088765	1	Ensamble de placa flexible
19303150	2	Juego de 8 calzas para resortes de colmena	12498008	1	Amortiguador, torsión
12625033	16	Resorte-Válvula	12557558	1	Cárter, Aceite
10212810	16	Sello, Aceite de vástago de válvula	12553058	1	Refuerzo-Cárter de aceite
19303149	2	Juego de 8 tapas para resortes de colmena	12553059	1	Refuerzo-Cárter de aceite
19302868	2	Juego de 16 cuñas para resortes de colmena	93442037	1	Ensamble de bomba-Aceite
19301708	16	Tapa-Resorte de válvula	12550042	1	Ensamble de pantalla-Bomba de aceite
19301709	32	Cuña, vástago de válvula	3998287	1	Eje, Impulso de bomba de aceite
12555331	8	Válvula-Admisión	3764554	1	Retenedor-Eje de impulso de bomba de aceite
12551313	8	Válvula-Escape	12551154	1	Ensamble de tubo-Indicador de nivel de aceite
12552126	16	Perno-Bola de brazo balancín de válvula	12551144	1	Ensamble de indicador-Nivel de aceite
12499103	1	Juego de pistón, con pasador (.005" O/S) Juego de 8	12594364	1	Arandela-Cubo de polea de cigüeñal
12499107	1	Juego de anillo, Pistón (0.005" O/S) Juego de 8	88894341	1	Juego de bomba, agua
19355718	8	Ensamble de biela	03754587	2	Empaque-Bomba de agua
12489436	1	Cigüeñal, Acero forjado 3.800	10241740	16	Ensamble de biela-Empuje de válvula
12499102	1	Juego de cojinete, principal de cigüeñal (estándar)	19210728	1	Juego de brazo, balancín de válvula
17800761	1	Juego de cojinete, Biela (estándar)	10168501	1	Retenedor-Árbol de levas
10168527	16	Perno/Tornillo-Culata de cilindro (corto)	19210723	1	Árbol de levas
10168526	4	Perno/Tornillo-Culata de cilindro (mediano)	17120735	16	Elevador, válvula
10168525	14	Perno/Tornillo-Culata de cilindro (largo)	12550002	8	Guía-Elevador de válvula
14088764	6	Perno/tornillo-Volante de inercia	12562818	1	Ensamble de cubierta-Frente de motor
10105117	2	Empaque-Culata de cilindro	10228655	1	Ensamble de sello, aceite delantero de cigüeñal
12555771	1	Empaque-Alojamiento de sello de aceite trasero de cigüeñal	10213294	8	Pasacables, cubierta delantera de motor
10108676	1	Empaque-Cárter de aceite	12555269	2	Ensamble de cubierta-Brazo de balancín de válvula
10046089	2	Empaque-Cubierta de brazo de balancín de válvula	12552129	1	Rueda dentada-Árbol de levas
12561389	3	Perno-Tapa de cojinete de cigüeñal	14088784	1	Rueda dentada-Cigüeñal
14101058	1	Perno-Retenedor de sello de aceite trasero de cigüeñal	14088783	1	Cadena-Sincronización de árbol de levas
14088556	1	Alojamiento, Sello de aceite trasero de cigüeñal	12496822	01	Paquete de múltiple, admisión
			19301684	02	Empaque, múltiple de admisión
			24504713	08	Perno/tornillo, adaptador de filtro de aceite