

### #19418279 LT GEN5 Head Bolt Kit Includes

- 19-pcs M12X1.75 - Thread, 134mm UHL
- 1-pc M12x1.75 - Thread, 102mm UHL
- GM OEM Bolts with Factory Thread Sealer

### Torque Specifications

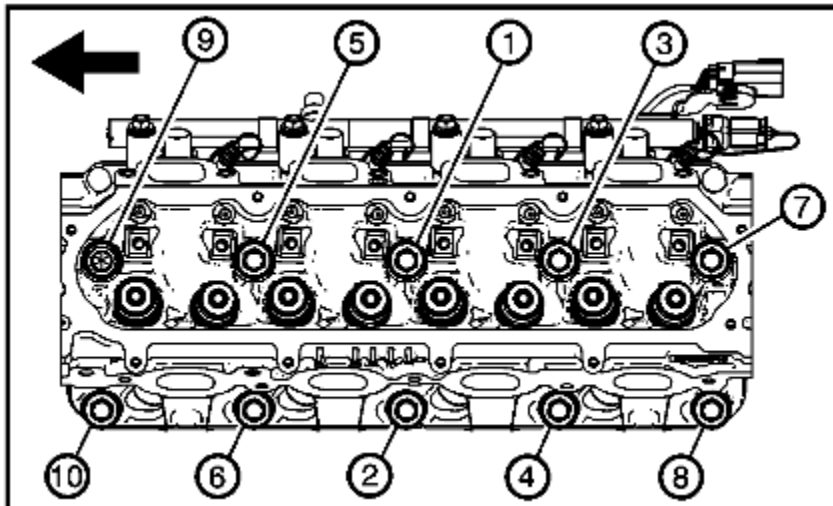
#### **LH Driver Side Front Head Bolt (1-Bolt Only)**

- 1st Pass - 59-FT/LBS
- 2nd Pass - 90-Degrees
- 3rd Pass - 40-Degrees

#### **Remaining Head Bolts (19-pcs)**

- 1st Pass - 59-FT/LBS
- 2nd Pass - 90-Degrees
- 3rd Pass - 60-Degrees

### LH Head Driver's Side Torque Sequence



### RH Head Passenger's Side Torque Sequence

