



FORD PERFORMANCE

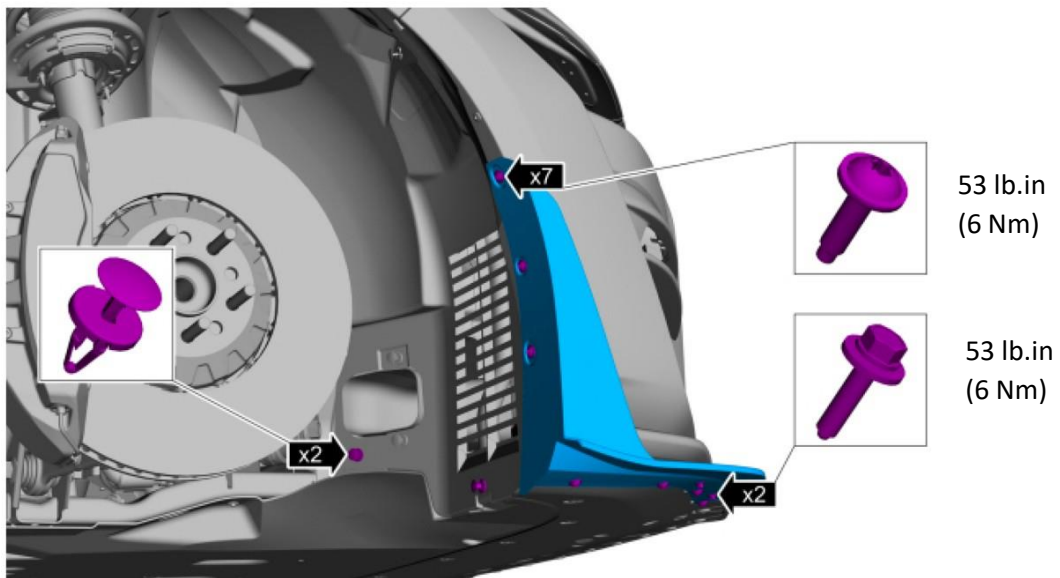
## M-16601-MCF GT500 Carbon Fiber Front Splitter Installation

### Carbon Fiber Front Splitter with Underbelly Shield

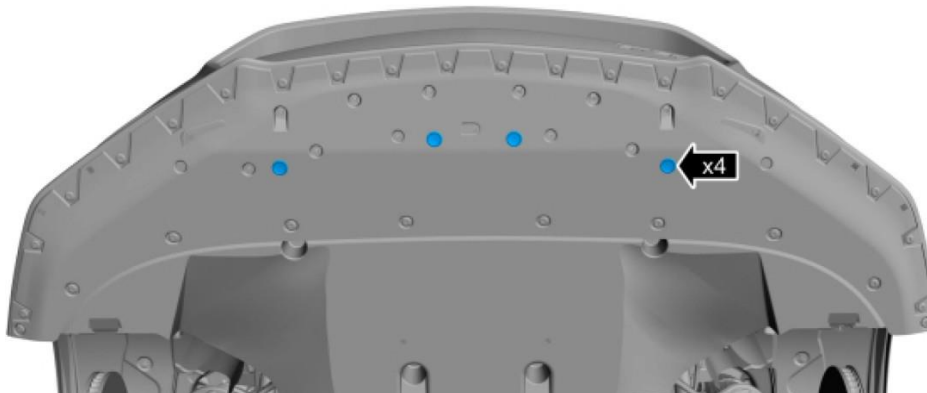
PLEASE READ ALL OF THE FOLLOWING INSTRUCTIONS CAREFULLY PRIOR TO INSTALLATION. AT ANY TIME YOU DO NOT UNDERSTAND THE INSTRUCTIONS, PLEASE CALL THE ANDERSON COMPOSITES CUSTOMER SERVICE LINE AT 1- 877-624-2662 (9:00 AM – 5:30 PM CALIFORNIA TIME, MON-FRI)

#### REMOVAL

1. If equipped with splitter wickers on both sides
  - Remove the pin type retainers
  - Remove the fasteners and the front bumper side extension



2. Remove the 4 belly underbody shield covers



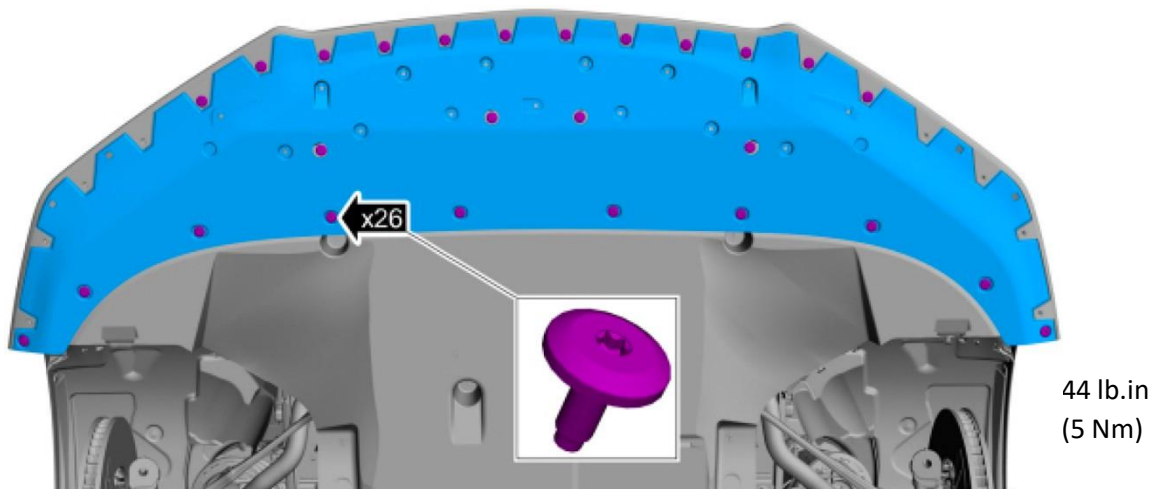


FORD PERFORMANCE

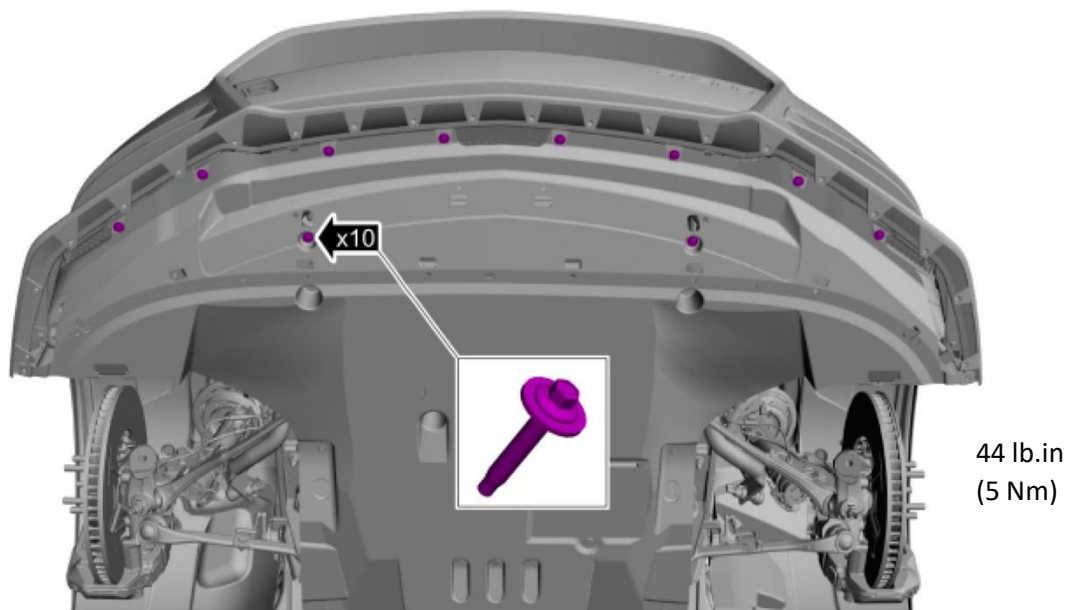
# M-16601-MCF GT500 Carbon Fiber Front Splitter Installation

## Carbon Fiber Front Splitter with Underbelly Shield

3. Remove the 26 fasteners and the underbody shield



4. Remove 10 bolts



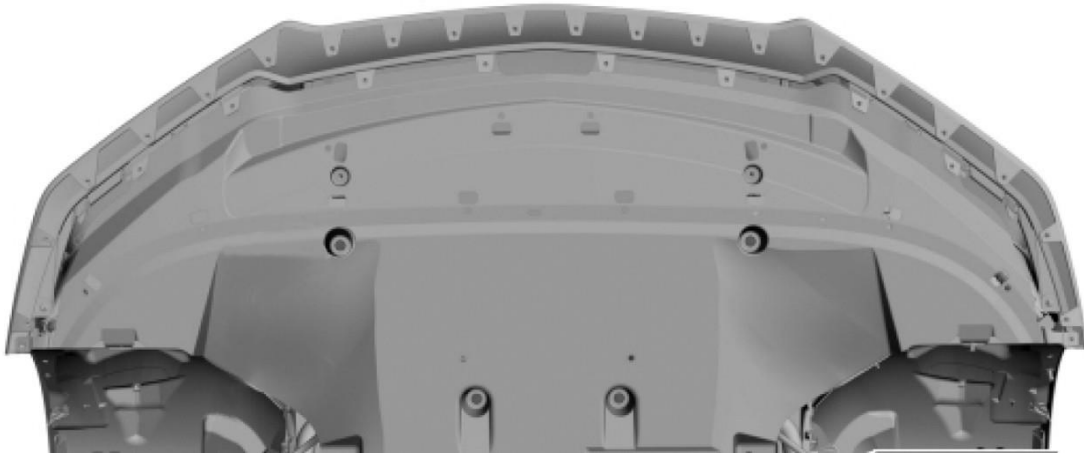


**FORD PERFORMANCE**

## M-16601-MCF GT500 Carbon Fiber Front Splitter Installation

### Carbon Fiber Front Splitter with Underbelly Shield

5. Remove front splitter



### INSTALLATION

1. To install, reverse procedure reusing hardware
2. Carbon fiber mounting tabs may require modifications for correct fitment; minor adjustments may be necessary as part of the normal installation process
3. Carbon fiber spoiler and underbelly shield will not sustain heavy force or weight, use minimal pressure during installation

