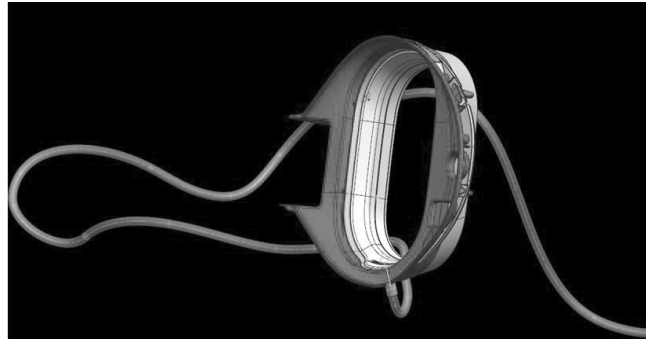


Bolt Illuminated Charge Port Housing Package Installation

Bolt Illuminated Charge Port Kit: 84359233

Part Number Bolt Kit Contents

Quantity	Part Number	Description
1	84359234	Bezel Assembly with Wire Harness Pigtail ending in terminals
1	84359236	Drill Template for accessory installation
1	84376510	Instruction – Illuminated Bezel Assembly Install
1	84359235	Replacement Door Seal
8	11509036	Tie straps to secure the pigtail
2	12365938	Solvent wipes



Special Tools Required

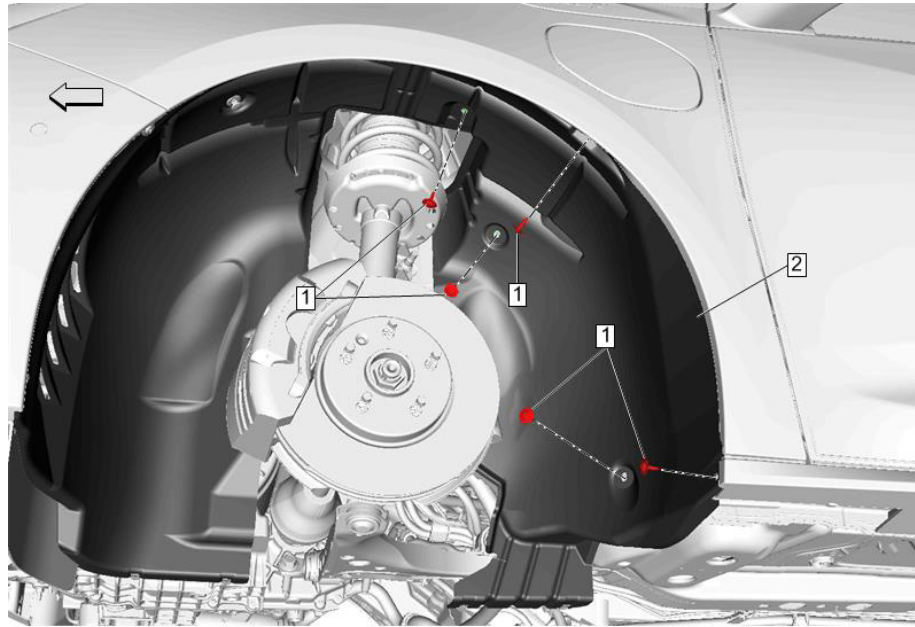
- Vinyl Tape (19mm)
- Electrical connector terminal pick
- Plastic Wedge Trim Tool

Procedure

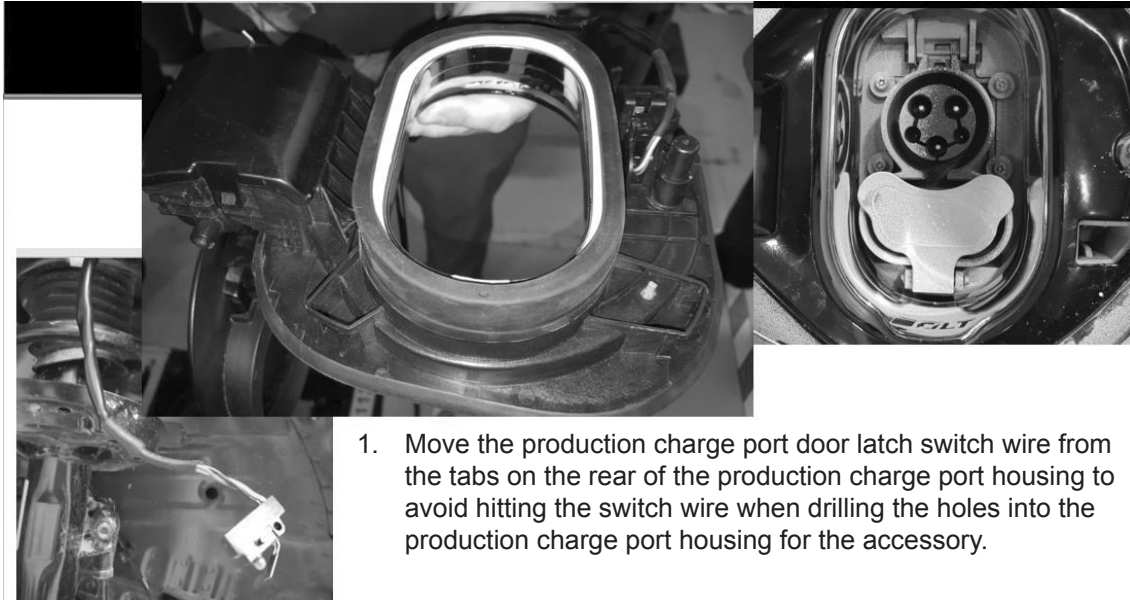
Note:

1. Read all instructions before performing procedure.
2. Inspect KIT to verify all parts are included.
3. Turn OFF the vehicle.
4. Disconnect the 12 Volt battery. Refer to Vehicle Service Manual.
5. Remove the left front wheel and tire assembly. Refer to Vehicle Service Manual.

DATE	REVISION	AUTH	DR
040C17	Initial Release - Bettina Morris	2675346	



6. Remove the fasteners (1) holding the rear half of the left front wheel house liner (2).
7. Position the wheel house liner enough to view and access the rear of the charge port.
8. Open the charge port door.
9. Open the hood.



1. Move the production charge port door latch switch wire from the tabs on the rear of the production charge port housing to avoid hitting the switch wire when drilling the holes into the production charge port housing for the accessory.

10. Move the production charge port door latch switch wire from the tabs on the rear of the production charge port housing to avoid hitting the switch wire when drilling the holes into the production charge port housing for the accessory.

Bolt Illuminated Charge Port Housing Package

IR 040C17

PART NO.

84376510

SHEET

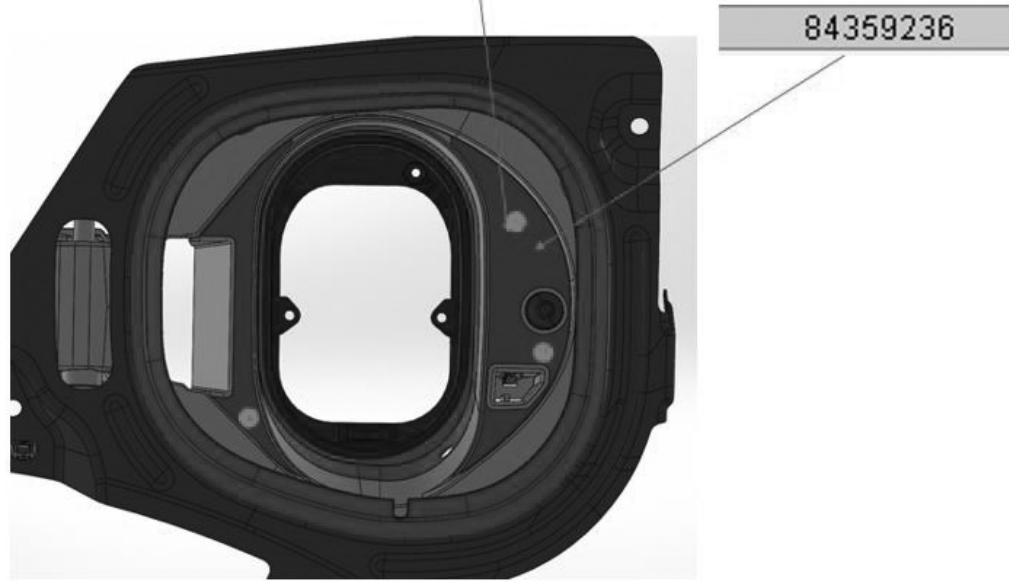
2 OF 33

ALL INFORMATION WITHIN ABOVE BORDER TO BE PRINTED EXACTLY AS SHOWN ON 8.5 x 11 WHITE 16 POUND NON-BOND RECYCLABLE PAPER. PRINT ON BOTH SIDES, EXCLUDING TEMPLATES. TO BE UNITIZED IN ACCORDANCE WITH GM SPECIFICATIONS.

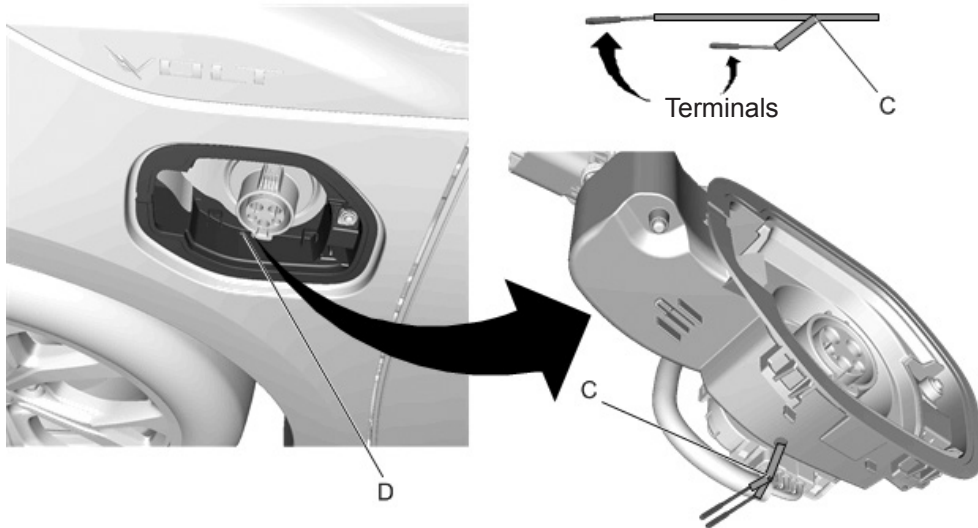
DATE	REVISION	AUTH	DR
040C17	Initial Release - Bettina Morris	2675346	

TITLE
INSTALLATION INSTRUCTIONS
Bolt Illuminated Charge Port Housing Package
PART NO. 84376510
SHEET 2 OF 33

The kit will include a template as shown in brown that the dealer will lay on top of the production charge port to drill holes into the production charge port for the accessory lighted charge port attachments.



- Drill the holes in the production charge port housing by locating the accessory drill template onto the housing. First, use a pilot bit to drill 2 mm holes (with a horizontal axis) for each of the 3 attachment features on the illuminated charge port and for the 1 hole (with a vertical axis) for the illuminated charge port wire pigtail. Then, leave the template on the housing and drill the 5 mm holes (final dimension) for the 3 attachment features and the 8 mm hole (final dimension) for the wires.



- Stagger terminals on Bezel Assembly Pigtail (C) and route through drain hole one at a time, (D) approximately 50.0 mm taking care not to damage terminals.

Bolt Illuminated Charge Port Housing Package

IR 040C17

PART NO.

84376510

SHEET

3 OF 33

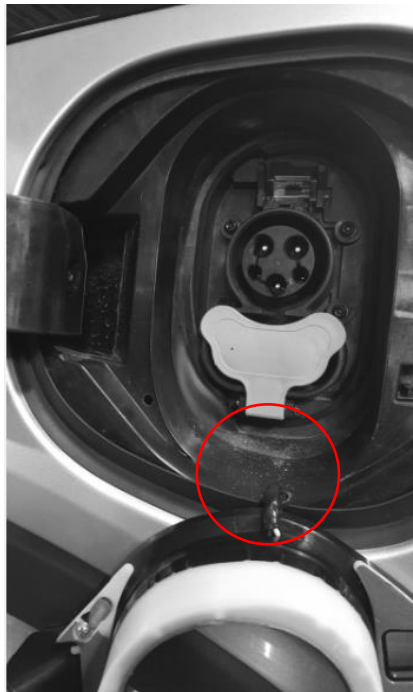
ALL INFORMATION WITHIN ABOVE BORDER TO BE PRINTED EXACTLY AS SHOWN ON 8.5 x 11 WHITE 16 POUND NON-BOND RECYCLABLE PAPER. PRINT ON BOTH SIDES, EXCLUDING TEMPLATES. TO BE UNITIZED IN ACCORDANCE WITH GM SPECIFICATIONS.

DATE	REVISION	AUTH	DR
040C17	Initial Release - Bettina Morris	2675346	

TITLE
INSTALLATION INSTRUCTIONS
Bolt Illuminated Charge Port Housing Package
PART NO. 84376510
SHEET 3 OF 33



13. Feed accessory pigtail wires through the 8mm hole.



Bolt Illuminated Charge Port Housing Package

IR 040C17

PART NO.

84376510

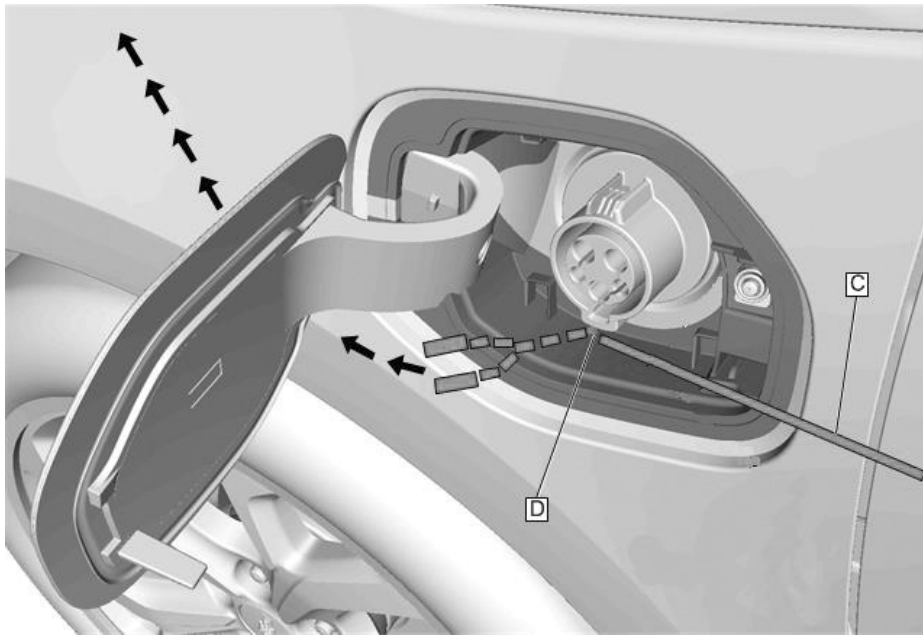
SHEET

4 OF **33**

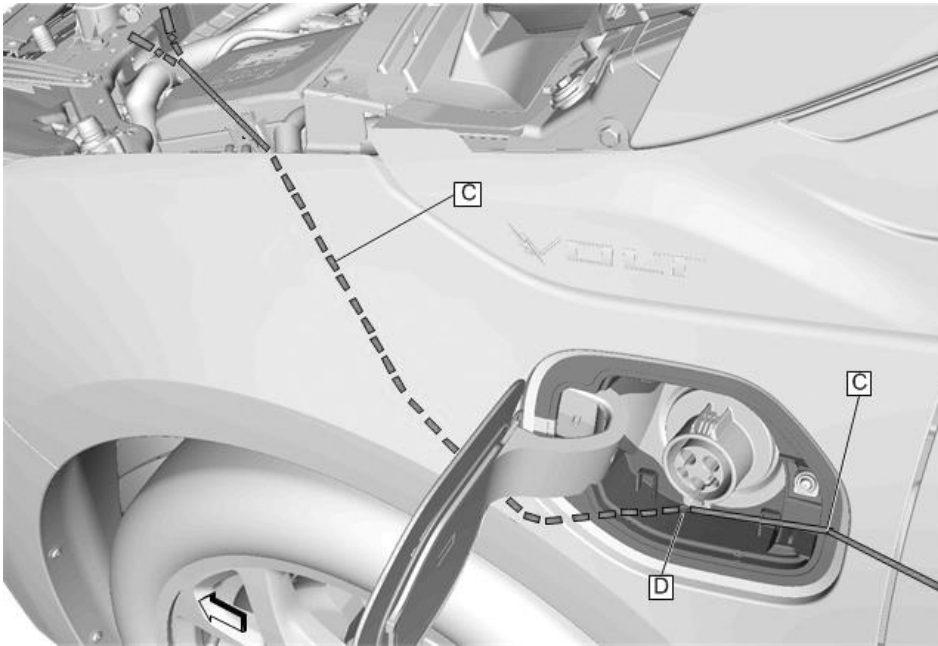
ALL INFORMATION WITHIN ABOVE BORDER TO BE PRINTED EXACTLY AS SHOWN ON 8.5 x 11 WHITE 16 POUND NON-BOND RECYCLABLE PAPER. PRINT ON BOTH SIDES, EXCLUDING TEMPLATES. TO BE UNITIZED IN ACCORDANCE WITH GM SPECIFICATIONS.

DATE	REVISION	AUTH	DR
040C17	Initial Release - Bettina Morris	2675346	

TITLE	INSTALLATION INSTRUCTIONS		
	Bolt Illuminated Charge Port Housing Package		
PART NO.	84376510	SHEET	4 OF 33



14. Through the wheel well access the wire harness as it exits the 8 mm drilled hole (D), pull the harness (C) fully through the drain hole.



15. Continue to pull the wire harness until it is visible between quarter panel outer and upper rail.

16. Assure bezel pigtail has been routed through drilled hole (D) and there is no slack, but with no strain on the accessory housing at the wire exit point.

Bolt Illuminated Charge Port Housing Package

IR 040C17

PART NO.

84376510

SHEET

5 OF 33

ALL INFORMATION WITHIN ABOVE BORDER TO BE PRINTED EXACTLY AS SHOWN ON 8.5 x 11 WHITE 16 POUND NON-BOND RECYCLABLE PAPER. PRINT ON BOTH SIDES, EXCLUDING TEMPLATES. TO BE UNITIZED IN ACCORDANCE WITH GM SPECIFICATIONS.

DATE	REVISION	AUTH	DR
040C17	Initial Release - Bettina Morris	2675346	

TITLE	INSTALLATION INSTRUCTIONS		
	Bolt Illuminated Charge Port Housing Package		
PART NO.	84376510	SHEET	5 OF 33



17. Remove the battery and battery tray via service procedures.



18. Move aside the ECM and the current meter via service procedures.

19. Remove the connector protector on the connection between engine harness and the body harness.

20. Disconnect the connection between engine harness and the body harness.

21. Remove the standard seals body connector cavities.

Bolt Illuminated Charge Port Housing Package

IR 040C17

PART NO.

84376510

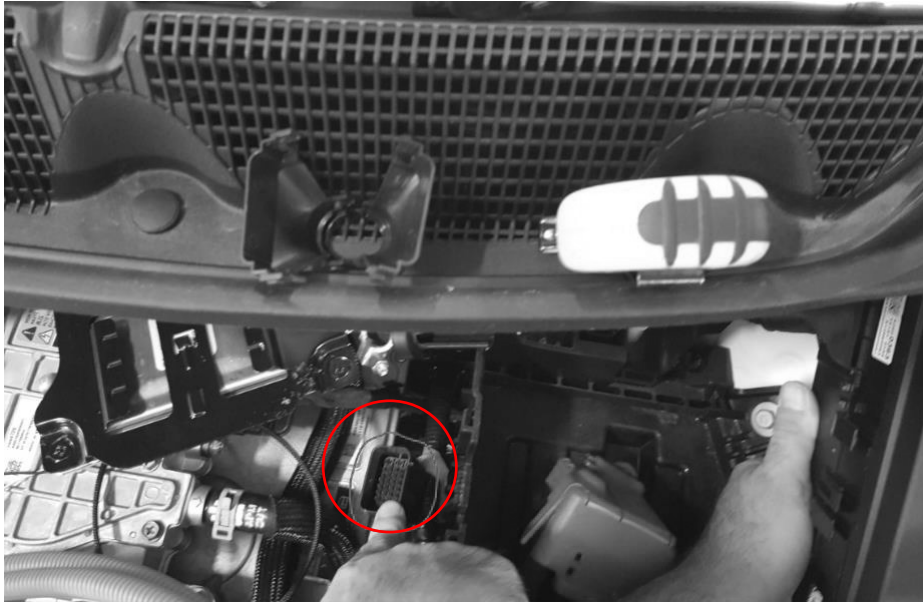
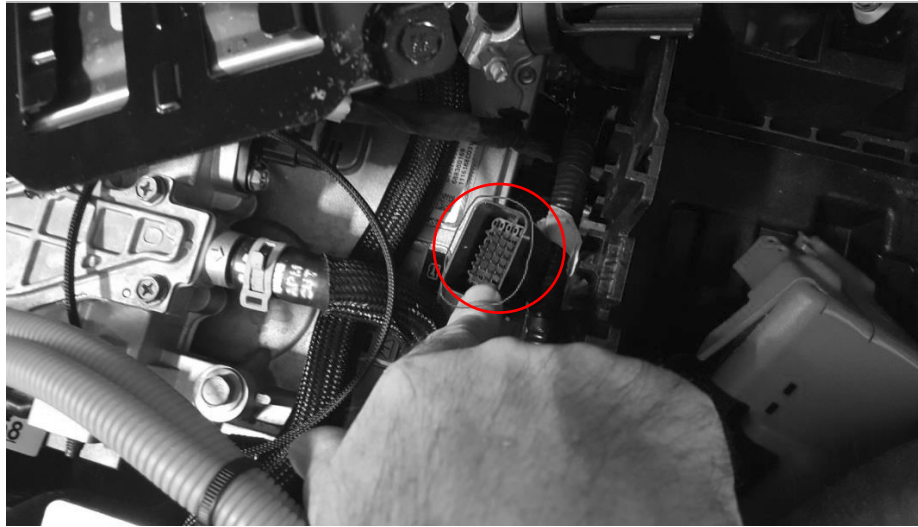
SHEET

6 OF 33

ALL INFORMATION WITHIN ABOVE BORDER TO BE PRINTED EXACTLY AS SHOWN ON 8.5 x 11 WHITE 16 POUND NON-BOND RECYCLABLE PAPER. PRINT ON BOTH SIDES, EXCLUDING TEMPLATES. TO BE UNITIZED IN ACCORDANCE WITH GM SPECIFICATIONS.

DATE	REVISION	AUTH	DR
040C17	Initial Release - Bettina Morris	2675346	

TITLE
INSTALLATION INSTRUCTIONS
Bolt Illuminated Charge Port Housing Package
PART NO. 84376510
SHEET 6 OF 33



Note: Verify correct terminal orientation prior to inserting terminal.

Bolt Illuminated Charge Port Housing Package

IR 040C17

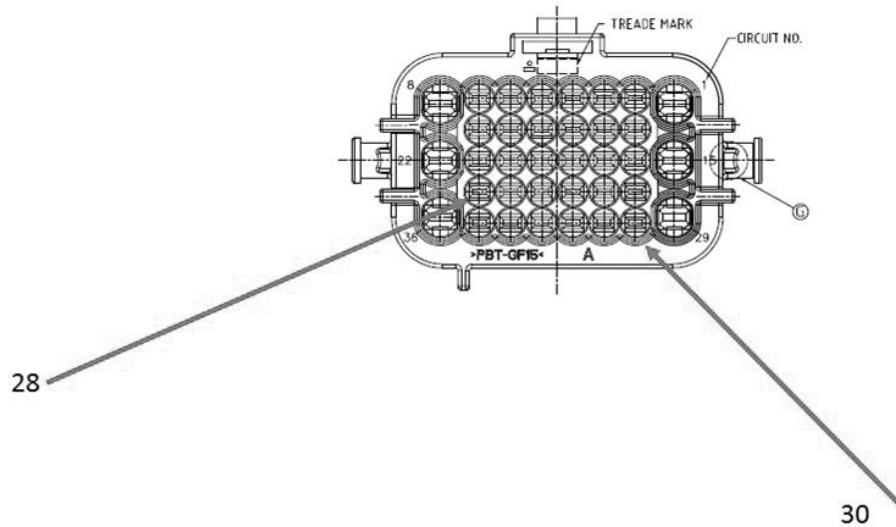
PART NO. **84376510**

SHEET **7** OF **33**

ALL INFORMATION WITHIN ABOVE BORDER TO BE PRINTED EXACTLY AS SHOWN ON 8.5 x 11 WHITE 16 POUND NON-BOND RECYCLABLE PAPER. PRINT ON BOTH SIDES, EXCLUDING TEMPLATES. TO BE UNITIZED IN ACCORDANCE WITH GM SPECIFICATIONS.

DATE	REVISION	AUTH	DR
040C17	Initial Release - Bettina Morris	2675346	

TITLE
INSTALLATION INSTRUCTIONS Bolt Illuminated Charge Port Housing Package
PART NO. 84376510 SHEET 7 OF 33



22. Remove the standard seals body connector cavities.

23. Cavity 28 is for the ground terminal; insert the black wire pigtail terminal. Cavity 30 is for the power terminal; insert the white wire pigtail terminal.

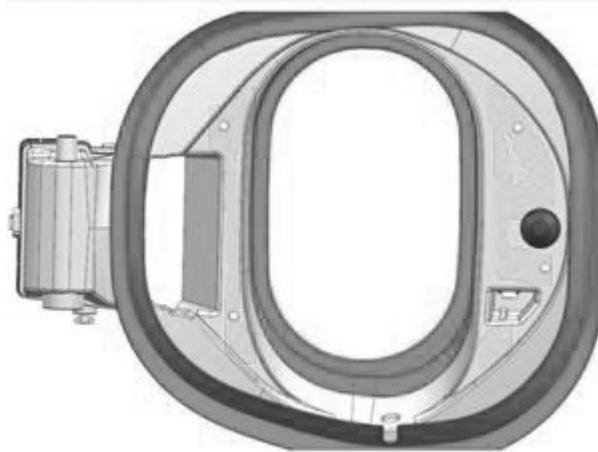
24. Route our wires to the connector and insert the terminals.

25. Replace the connector protector on the connection between engine harness and the body harness.

26. Use the tie straps to fasten the accessory pigtail to the vehicle at approximately 100 mm increments.

Note: Ensure that the production charge port housing rear shroud is seated behind the receptacle so that the shroud cannot interfere with the seating of the charge station coupler. Use the Plastic Wedge Trim Tool to adjust the shroud as needed.

27. Clean the production charge port housing surface with the solvent wipes.



Bolt Illuminated Charge Port Housing Package

IR 040C17

PART NO.

84376510

SHEET

8

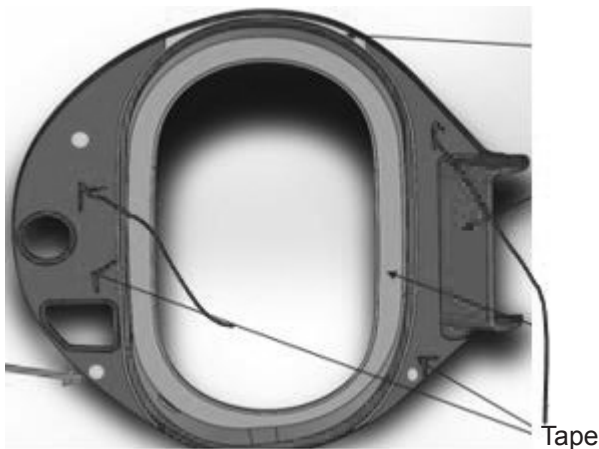
OF **33**

ALL INFORMATION WITHIN ABOVE BORDER TO BE PRINTED EXACTLY AS SHOWN ON 8.5 x 11 WHITE 16 POUND NON-BOND RECYCLABLE PAPER. PRINT ON BOTH SIDES, EXCLUDING TEMPLATES. TO BE UNITIZED IN ACCORDANCE WITH GM SPECIFICATIONS.

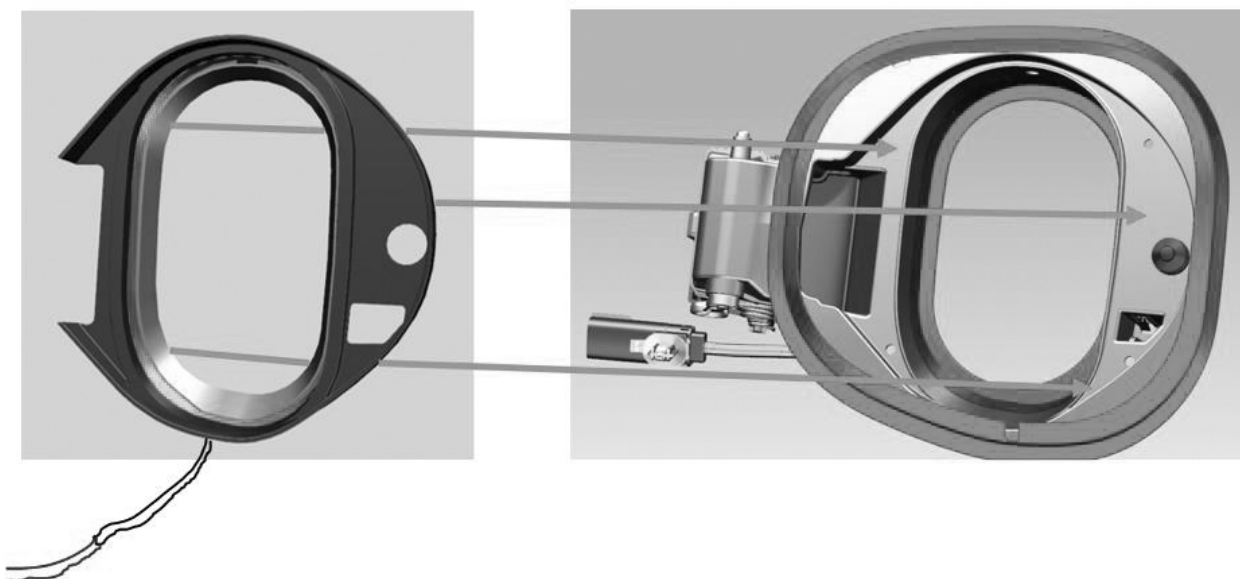
DATE	REVISION	AUTH	DR
040C17	Initial Release - Bettina Morris	2675346	

INSTALLATION INSTRUCTIONS	
Bolt Illuminated Charge Port Housing Package	
PART NO.	84376510
SHEET	8 OF 33

28. Remove the horizontal tape on the back of the accessory (shown in brown).



29. Seat bezel assembly into charge port housing by aligning the three bezel posts to housing 5mm drilled holes.



Note: Do not remove secured tape on back of housing.

Note: Install the illuminated bezel carefully. Do not pinch wire when installing, tuck wires out of the way of snap posts before seating.

30. Flash the BCM to turn on the bit that lights the illuminated charge port.

31. Test the system to ensure it is installed properly:

32. 1 Reconnect the 12 volt battery.

33. 2 Turn on the vehicle.

34. 3 With the vehicle "ON", open the charge port door. The illuminated bezel will turn on for 60 seconds.

DATE	REVISION	AUTH	DR
040C17	Initial Release - Bettina Morris	2675346	

TITLE	INSTALLATION INSTRUCTIONS		
	Bolt Illuminated Charge Port Housing Package		
PART NO.	84376510	SHEET	9 OF 33

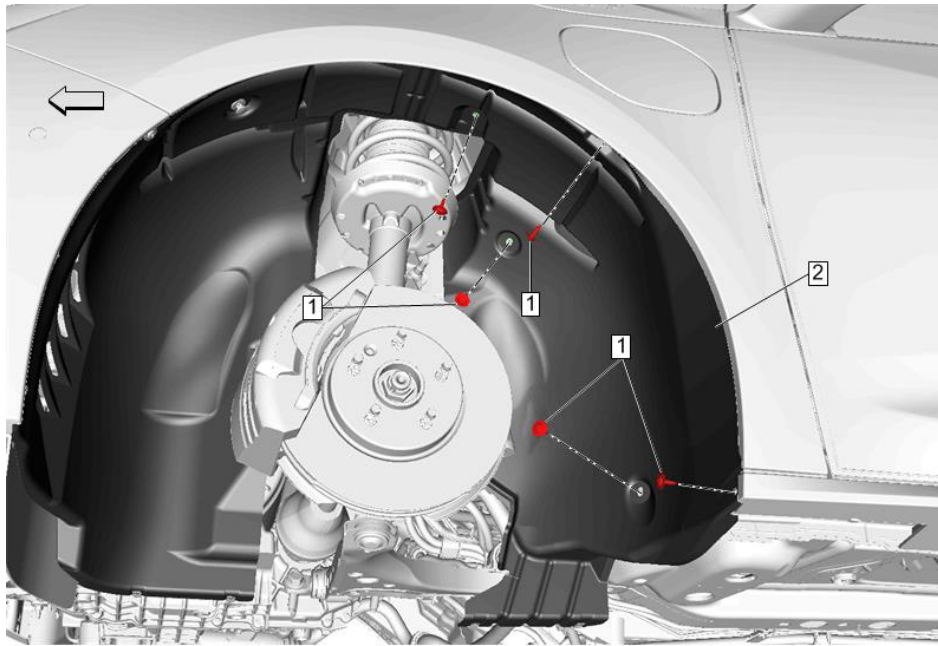
The illuminated charge port will function as follows when a charge cord is attached:

- The light stays on for 6 seconds while the system initializes and then will begin to flash to indicate charge status.
- Initial – Light On
- 0-25% – 1 Blink
- 25-50% – 2 Blinks
- 50-75% – 3 Blinks
- 75-100% – 4 Blinks
- 100% – Light Off after 60 seconds of unblinking illumination
- When the charge cord is unplugged after a complete, or partial charge event, the light will turn on for 60 seconds.

Note: The dashboard charge state lamp and the charge port light work identically as above EXCEPT for the full charge state, the dashboard lamp remains illuminated and unblinking even after the 60 second time out by door lamp.

35. Charge Port / Charge Station Coupler Test – Required to ensure that the vehicle charges properly after the accessory installation.

- Insert the charge station coupler into the vehicle charge port. Listen for a click indicating coupler is fully seated.
- Verify full insertion of the charge station coupler by pulling lightly on coupler. Ensure charge station coupler cannot be removed without disengaging the latch on the coupler.
- Check that the vehicle is charging and that the charge port light is indicating the state of charge as described above.
- Check accessory bezel to assure proper seating adjustment as necessary.



Caution: Use the correct fastener in the correct location. Replacement fasteners must be the correct part number for that application. Fasteners requiring replacement or fasteners requiring the use of thread locking compound or sealant are identified in the service procedure. Do not use paints, lubricants, or corrosion inhibitors on fasteners or fastener joint surfaces unless specified. These coatings affect fastener torque and joint clamping force and may damage the fastener. Use the correct tightening sequence and specifications when installing fasteners in order to avoid damage to parts and systems.

36. Reposition the wheel house liner and install the fasteners (1) holding the rear half of the left front wheel house liner (2).

Tighten

Tighten the wheel house liner fasteners to **2.5 Nm (22 lb in)**.

Bolt Illuminated Charge Port Housing Package

IR 040C17

PART NO.

84376510

SHEET

10 OF 33

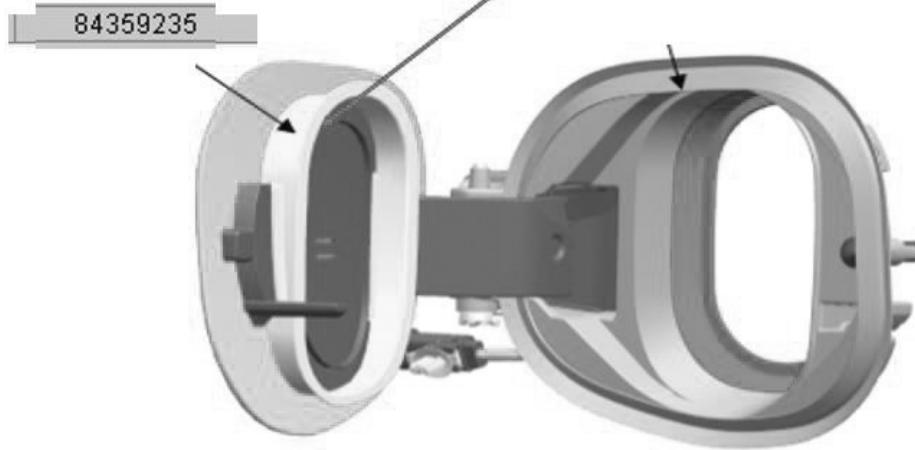
ALL INFORMATION WITHIN ABOVE BORDER TO BE PRINTED EXACTLY AS SHOWN ON 8.5 x 11 WHITE 16 POUND NON-BOND RECYCLABLE PAPER. PRINT ON BOTH SIDES, EXCLUDING TEMPLATES. TO BE UNITIZED IN ACCORDANCE WITH GM SPECIFICATIONS.

DATE	REVISION	AUTH	DR
040C17	Initial Release - Bettina Morris	2675346	

TITLE
INSTALLATION INSTRUCTIONS
Bolt Illuminated Charge Port Housing Package
PART NO. 84376510
SHEET 10 OF 33

- 37. Reinstall the left front wheel and tire assembly. Refer to Vehicle Service Manual.
- 38. Remove the production charge port door and remove the production seal on the inner surface of the production charge port door per vehicle service procedures.
- 39. Place with the replacement door seal, 84359235, from the kit onto the door and reassemble door.

A replacement seal for the production seal on the Bolt charge port door (needed because the lighted charge port compresses the production bezel too much).



- 40. Reassemble the car.
- 41. Flash the BCM to turn on the bit that lights the port.
- 42. Replace the production DC cover on the production charge receptacle with the components from Service Kit 24290558. The production charging coupler from an AC/DC charging station will not seat correctly without this replacement.

Bolt Illuminated Charge Port Housing Package

IR 040C17

PART NO.

84376510

SHEET

11 OF **33**

ALL INFORMATION WITHIN ABOVE BORDER TO BE PRINTED EXACTLY AS SHOWN ON 8.5 x 11 WHITE 16 POUND NON-BOND RECYCLABLE PAPER. PRINT ON BOTH SIDES, EXCLUDING TEMPLATES. TO BE UNITIZED IN ACCORDANCE WITH GM SPECIFICATIONS.

DATE	REVISION	AUTH	DR
040C17	Initial Release - Bettina Morris	2675346	

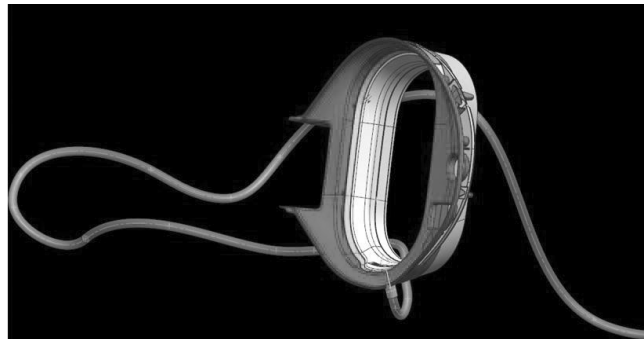
TITLE	INSTALLATION INSTRUCTIONS		
	Bolt Illuminated Charge Port Housing Package		
PART NO.	84376510	SHEET	11 OF 33

Bolt Illuminated Charge Port Housing Package Installation

Bolt Illuminated Charge Port Kit: 84359233

Part Number Bolt Kit Contents

Quantity	Part Number	Description
1	84359234	Bezel Assembly with Wire Harness Pigtail ending in terminals
1	84359236	Drill Template for accessory installation
1	84376510	Instruction – Illuminated Bezel Assembly Install
1	84359235	Replacement Door Seal
8	11509036	Tie straps to secure the pigtail
2	12365938	Solvent wipes



Special Tools Required

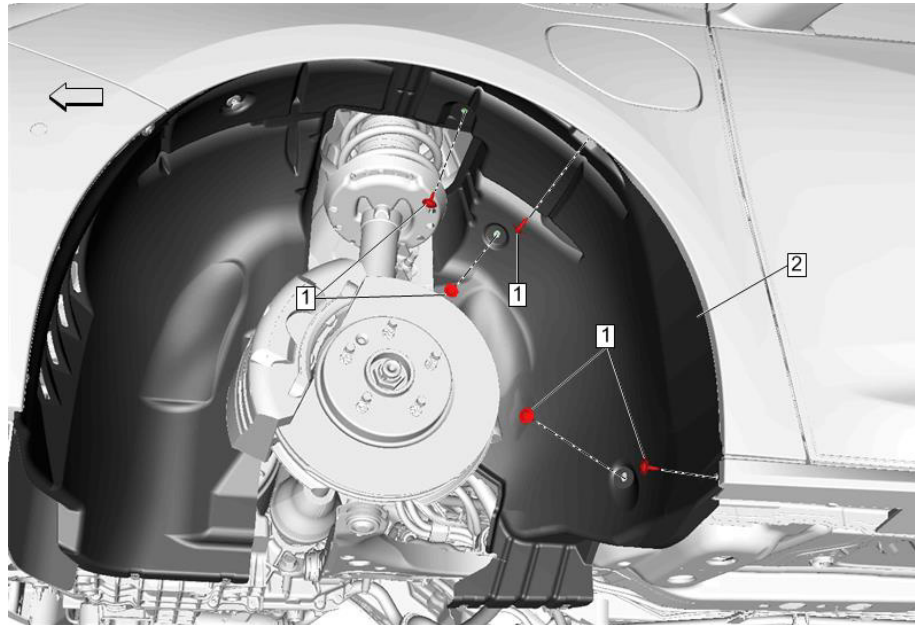
- Vinyl Tape (19mm)
- Electrical connector terminal pick
- Plastic Wedge Trim Tool

Procedure

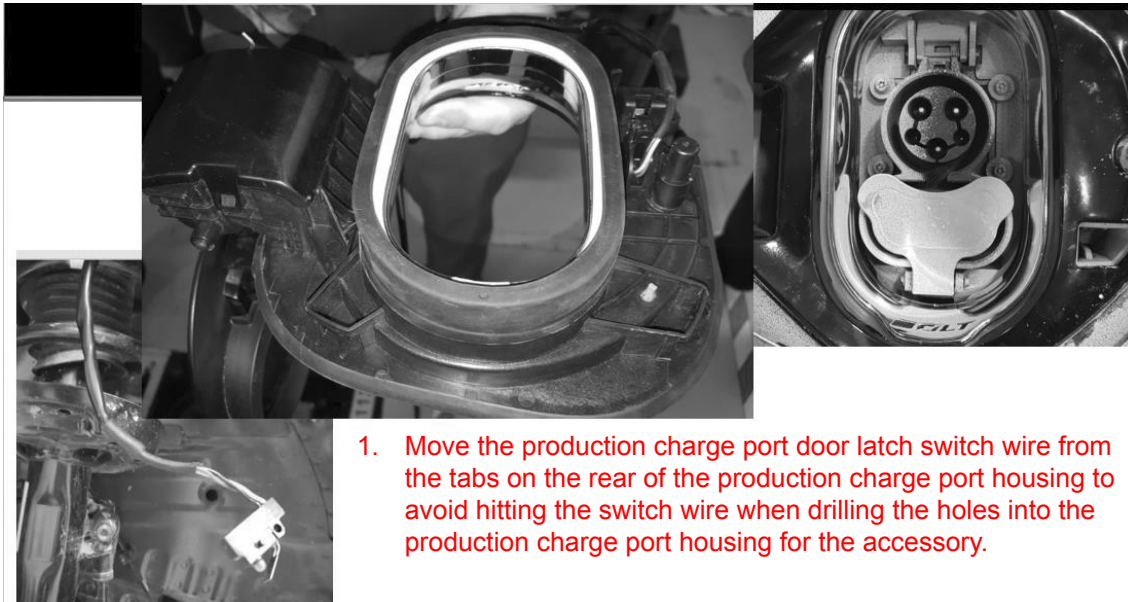
Note:

1. Read all instructions before performing procedure.
2. Inspect KIT to verify all parts are included.
3. Turn OFF the vehicle.
4. Disconnect the 12 Volt battery. Refer to Vehicle Service Manual.
5. Remove the left front wheel and tire assembly. Refer to Vehicle Service Manual.

DATE	REVISION	AUTH	DR
040C17	Initial Release - Bettina Morris	2675346	



- 6. Remove the fasteners (1) holding the rear half of the left front wheel house liner (2).
- 7. Position the wheel house liner enough to view and access the rear of the charge port.
- 8. Open the charge port door.
- 9. Open the hood.



- 1. Move the production charge port door latch switch wire from the tabs on the rear of the production charge port housing to avoid hitting the switch wire when drilling the holes into the production charge port housing for the accessory.

- 10. Move the production charge port door latch switch wire from the tabs on the rear of the production charge port housing to avoid hitting the switch wire when drilling the holes into the production charge port housing for the accessory.

Bolt Illuminated Charge Port Housing Package

IR 040C17

PART NO.

84376510

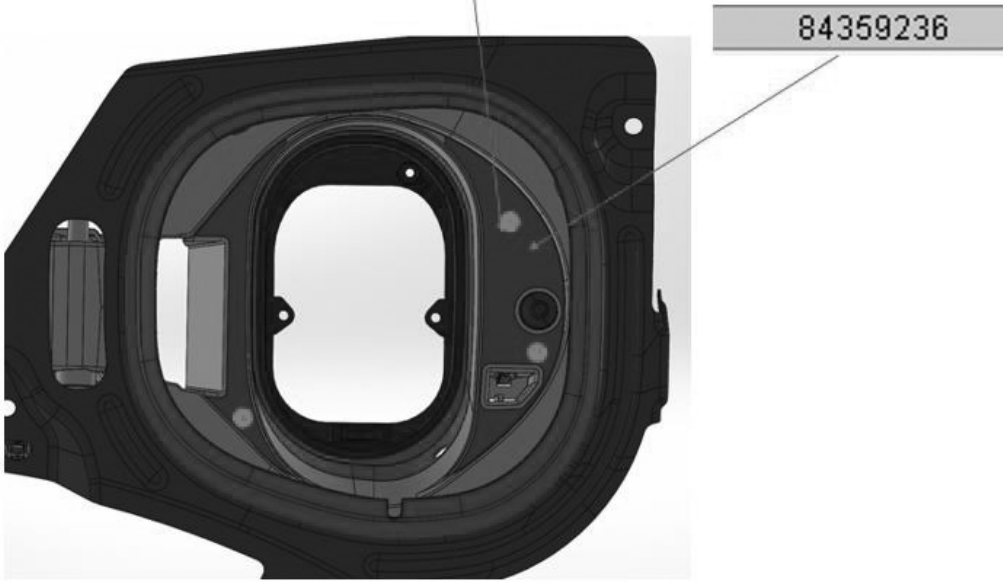
SHEET **13** OF **33**

ALL INFORMATION WITHIN ABOVE BORDER TO BE PRINTED EXACTLY AS SHOWN ON 8.5 x 11 WHITE 16 POUND NON-BOND RECYCLABLE PAPER. PRINT ON BOTH SIDES, EXCLUDING TEMPLATES. TO BE UNITIZED IN ACCORDANCE WITH GM SPECIFICATIONS.

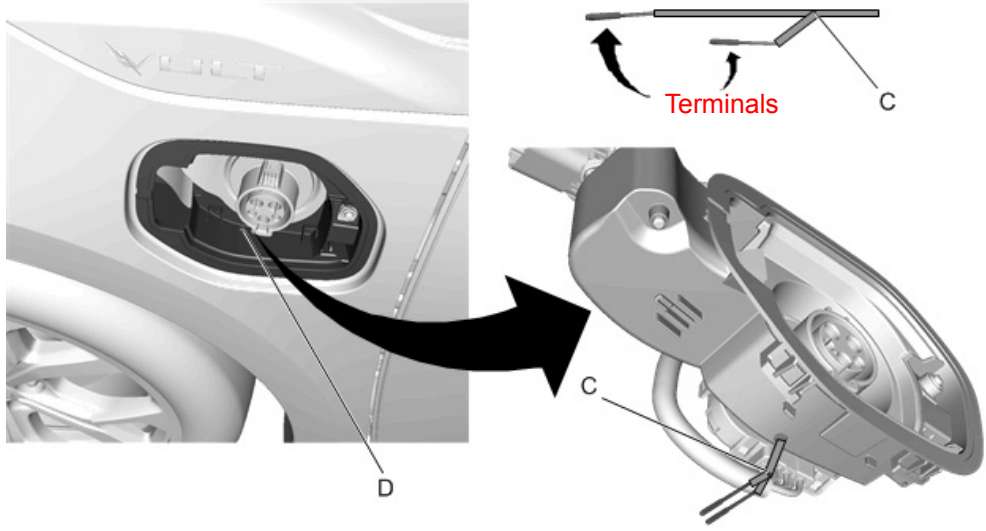
DATE	REVISION	AUTH	DR
040C17	Initial Release - Bettina Morris	2675346	

TITLE
INSTALLATION INSTRUCTIONS Bolt Illuminated Charge Port Housing Package
PART NO. 84376510 SHEET 13 OF 33

The kit will include a template as shown in brown that the dealer will lay on top of the production charge port to drill holes into the production charge port for the accessory lighted charge port attachments.



- Drill the holes in the production charge port housing by locating the accessory drill template onto the housing. First, use a pilot bit to drill 2 mm holes (with a horizontal axis) for each of the 3 attachment features on the illuminated charge port and for the 1 hole (with a vertical axis) for the illuminated charge port wire pigtail. Then, leave the template on the housing and drill the 5 mm holes (final dimension) for the 3 attachment features and the 8 mm hole (final dimension) for the wires.



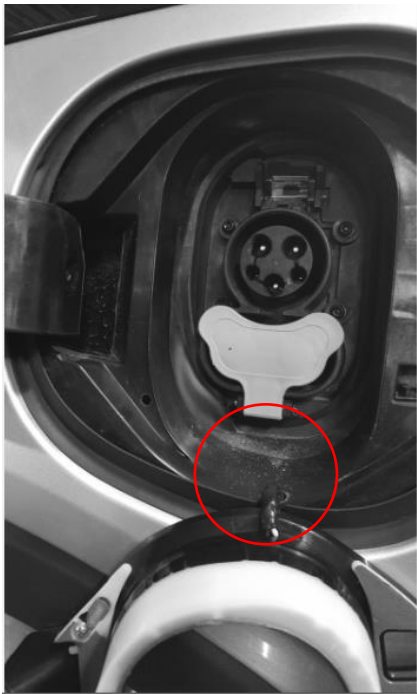
- Stagger terminals on Bezel Assembly Pigtail (C) and route through drain hole one at a time, (D) approximately 50.0 mm taking care not to damage terminals.

ALL INFORMATION WITHIN ABOVE BORDER TO BE PRINTED EXACTLY AS SHOWN ON 8.5 x 11 WHITE 16 POUND NON-BOND RECYCLABLE PAPER. PRINT ON BOTH SIDES, EXCLUDING TEMPLATES. TO BE UNITIZED IN ACCORDANCE WITH GM SPECIFICATIONS.

DATE	REVISION	AUTH	DR
040C17	Initial Release - Bettina Morris	2675346	



13. Feed accessory pigtail wires through the 8mm hole.



Bolt Illuminated Charge Port Housing Package

IR 040C17

PART NO.

84376510

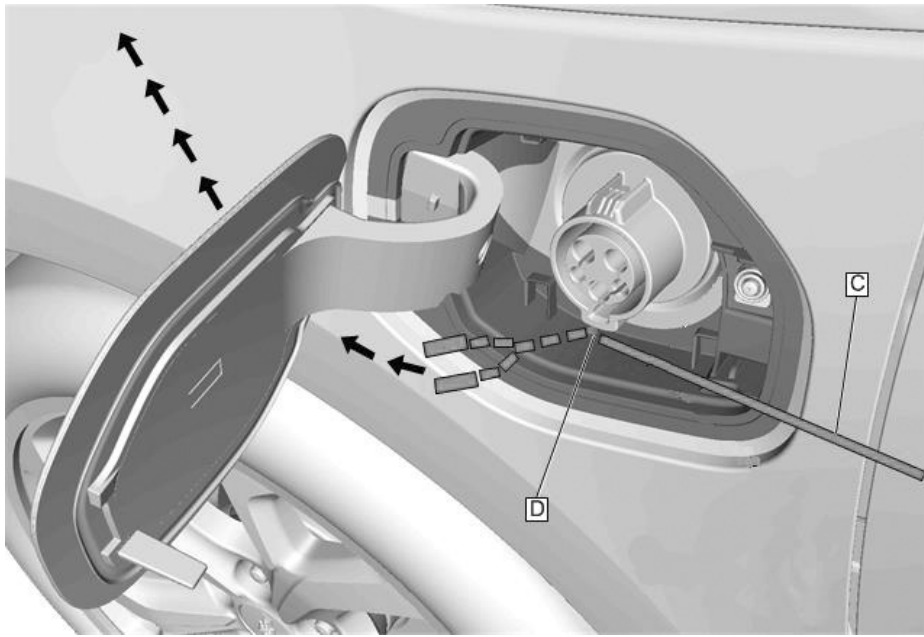
SHEET

15 OF **33**

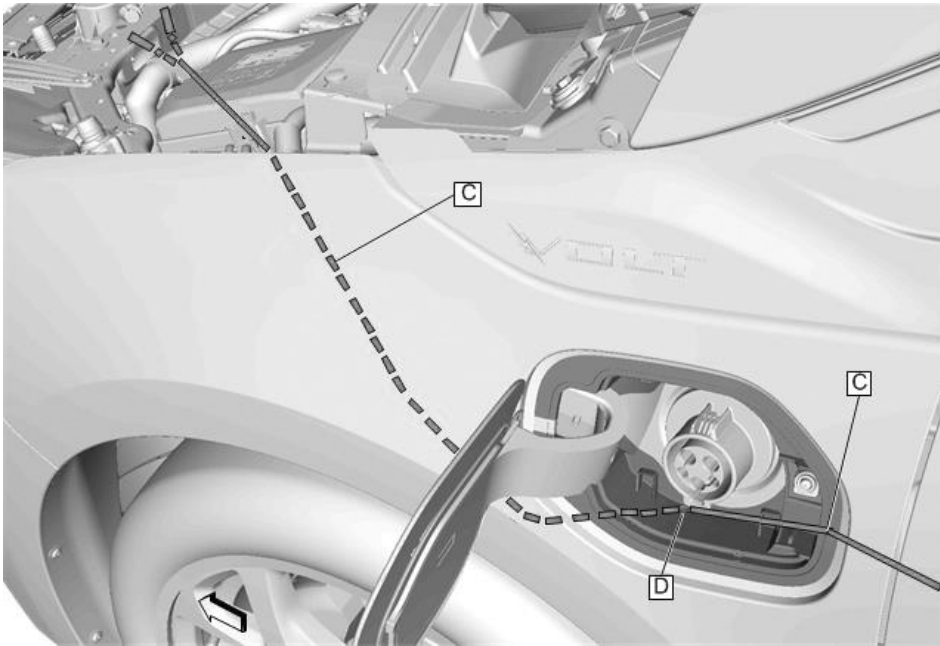
ALL INFORMATION WITHIN ABOVE BORDER TO BE PRINTED EXACTLY AS SHOWN ON 8.5 x 11 WHITE 16 POUND NON-BOND RECYCLABLE PAPER. PRINT ON BOTH SIDES, EXCLUDING TEMPLATES. TO BE UNITIZED IN ACCORDANCE WITH GM SPECIFICATIONS.

DATE	REVISION	AUTH	DR
040C17	Initial Release - Bettina Morris	2675346	

TITLE	INSTALLATION INSTRUCTIONS		
	Bolt Illuminated Charge Port Housing Package		
PART NO.	84376510	SHEET	15 OF 33



14. Through the wheel well access the wire harness as it exits the 8 mm drilled hole (D), pull the harness (C) fully through the drain hole.



15. Continue to pull the wire harness until it is visible between quarter panel outer and upper rail.

16. Assure bezel pigtail has been routed through drilled hole (D) and there is no slack, but with no strain on the accessory housing at the wire exit point.

Bolt Illuminated Charge Port Housing Package

IR 040C17

PART NO.

84376510

SHEET

16 OF 33

ALL INFORMATION WITHIN ABOVE BORDER TO BE PRINTED EXACTLY AS SHOWN ON 8.5 x 11 WHITE 16 POUND NON-BOND RECYCLABLE PAPER. PRINT ON BOTH SIDES, EXCLUDING TEMPLATES. TO BE UNITIZED IN ACCORDANCE WITH GM SPECIFICATIONS.

DATE	REVISION	AUTH	DR
040C17	Initial Release - Bettina Morris	2675346	

TITLE
INSTALLATION INSTRUCTIONS
Bolt Illuminated Charge Port Housing Package
PART NO. 84376510
SHEET 16 OF 33



17. Remove the battery and battery tray via service procedures.



18. Move aside the ECM and the current meter via service procedures.

19. Remove the connector protector on the connection between engine harness and the body harness.

20. Disconnect the connection between engine harness and the body harness.

21. Remove the standard seals body connector cavities.

Bolt Illuminated Charge Port Housing Package

IR 040C17

PART NO.

84376510

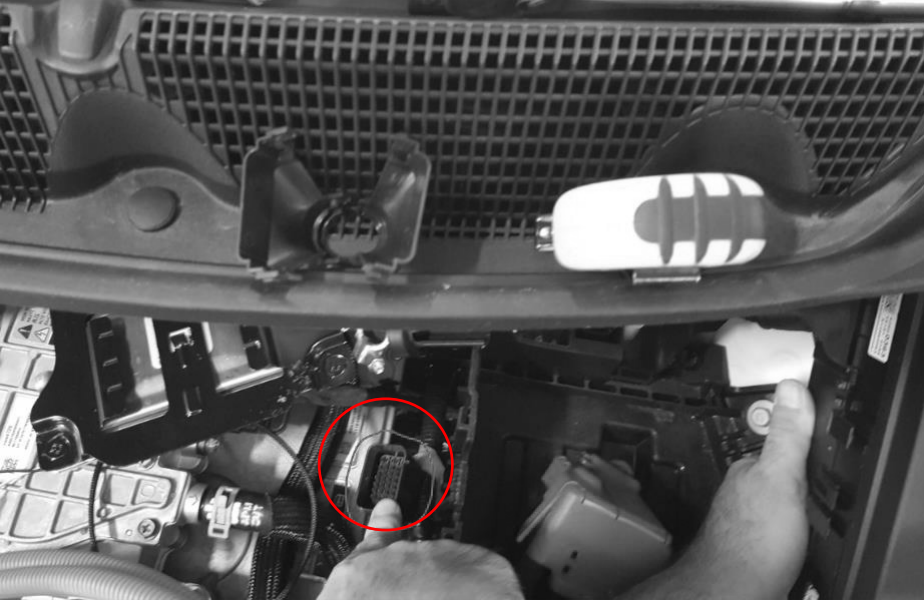
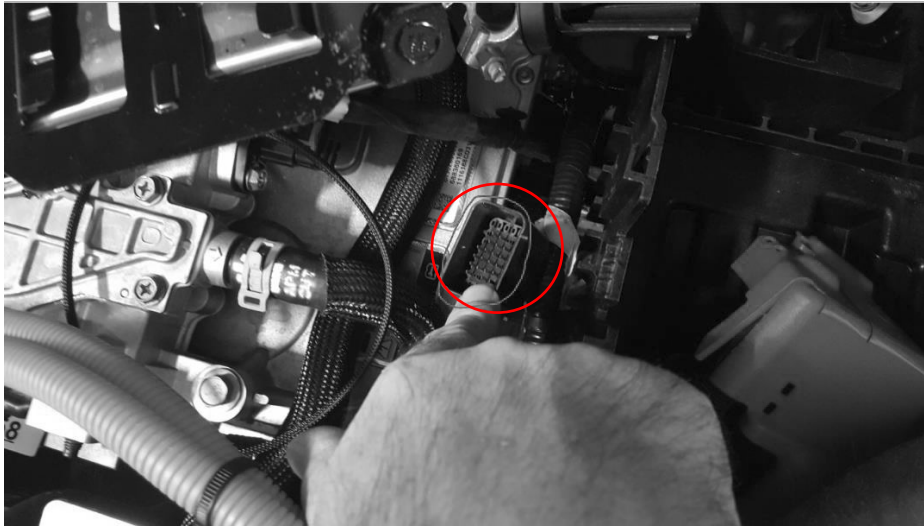
SHEET

17 OF 33

ALL INFORMATION WITHIN ABOVE BORDER TO BE PRINTED EXACTLY AS SHOWN ON 8.5 x 11 WHITE 16 POUND NON-BOND RECYCLABLE PAPER. PRINT ON BOTH SIDES, EXCLUDING TEMPLATES. TO BE UNITIZED IN ACCORDANCE WITH GM SPECIFICATIONS.

DATE	REVISION	AUTH	DR
040C17	Initial Release - Bettina Morris	2675346	

TITLE
INSTALLATION INSTRUCTIONS
Bolt Illuminated Charge Port Housing Package
PART NO. 84376510
SHEET 17 OF 33



Note: Verify correct terminal orientation prior to inserting terminal.

Bolt Illuminated Charge Port Housing Package

IR 040C17

PART NO.

84376510

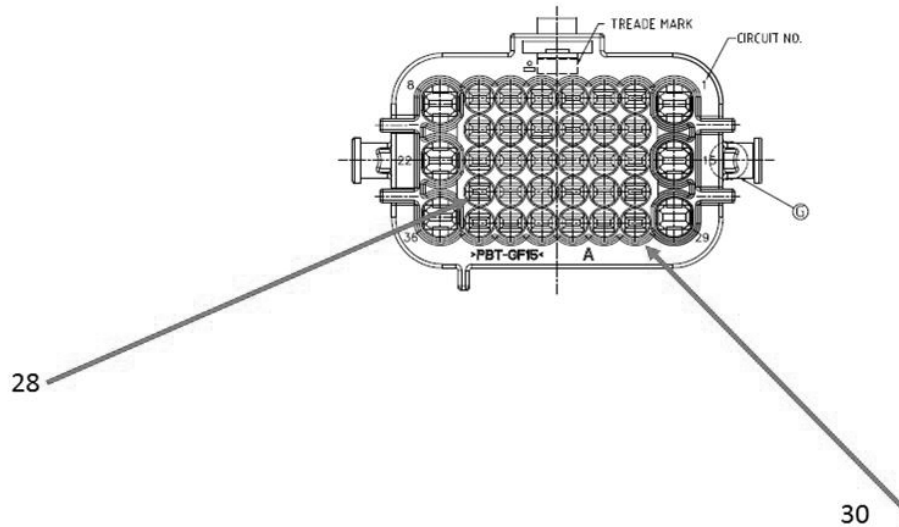
SHEET

18 OF 33

ALL INFORMATION WITHIN ABOVE BORDER TO BE PRINTED EXACTLY AS SHOWN ON 8.5 x 11 WHITE 16 POUND NON-BOND RECYCLABLE PAPER. PRINT ON BOTH SIDES, EXCLUDING TEMPLATES. TO BE UNITIZED IN ACCORDANCE WITH GM SPECIFICATIONS.

DATE	REVISION	AUTH	DR
040C17	Initial Release - Bettina Morris	2675346	

TITLE
INSTALLATION INSTRUCTIONS
Bolt Illuminated Charge Port Housing Package
PART NO. 84376510
SHEET 18 OF 33



22. Remove the standard seals body connector cavities.

23. Cavity 28 is for the ground terminal; insert the black wire pigtail terminal. Cavity 30 is for the power terminal; insert the white wire pigtail terminal.

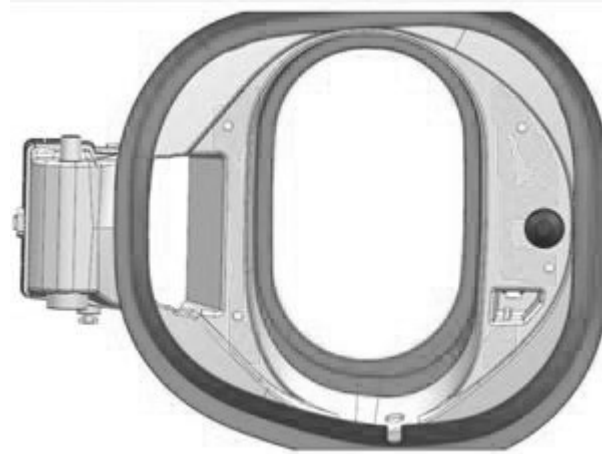
24. Route our wires to the connector and insert the terminals.

25. Replace the connector protector on the connection between engine harness and the body harness.

26. Use the tie straps to fasten the accessory pigtail to the vehicle at approximately 100 mm increments.

Note: Ensure that the production charge port housing rear shroud is seated behind the receptacle so that the shroud cannot interfere with the seating of the charge station coupler. Use the Plastic Wedge Trim Tool to adjust the shroud as needed.

27. Clean the production charge port housing surface with the solvent wipes.



Bolt Illuminated Charge Port Housing Package

IR 040C17

PART NO.

84376510

SHEET

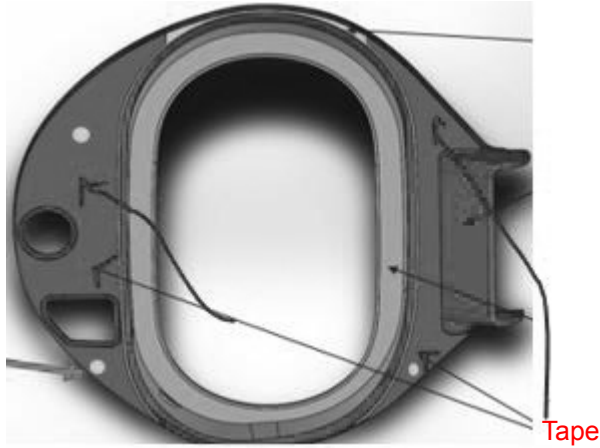
19 OF **33**

ALL INFORMATION WITHIN ABOVE BORDER TO BE PRINTED EXACTLY AS SHOWN ON 8.5 x 11 WHITE 16 POUND NON-BOND RECYCLABLE PAPER. PRINT ON BOTH SIDES, EXCLUDING TEMPLATES. TO BE UNITIZED IN ACCORDANCE WITH GM SPECIFICATIONS.

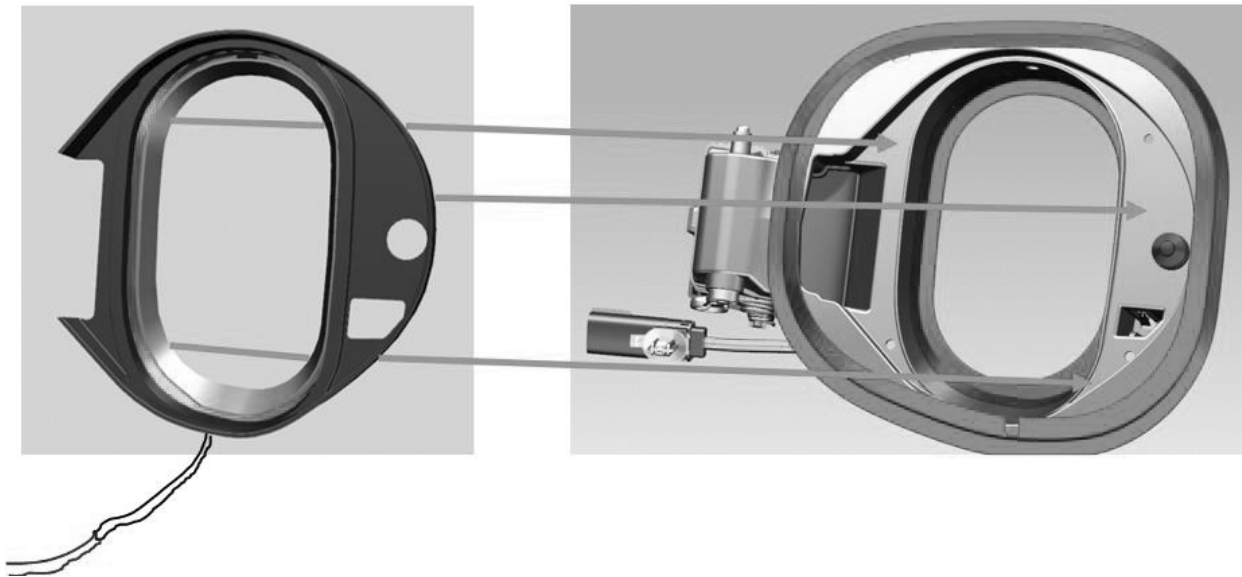
DATE	REVISION	AUTH	DR
040C17	Initial Release - Bettina Morris	2675346	

INSTALLATION INSTRUCTIONS	
Bolt Illuminated Charge Port Housing Package	
PART NO.	84376510
SHEET	19 OF 33

28. Remove the horizontal tape on the back of the accessory (shown in brown).



29. Seat bezel assembly into charge port housing by aligning the three bezel posts to housing 5mm drilled holes.



Note: Do not remove secured tape on back of housing.

Note: Install the illuminated bezel carefully. Do not pinch wire when installing, tuck wires out of the way of snap posts before seating.

30. Flash the BCM to turn on the bit that lights the illuminated charge port.

31. Test the system to ensure it is installed properly:

32. 1 Reconnect the 12 volt battery.

33. 2 Turn on the vehicle.

34. 3 With the vehicle "ON", open the charge port door. The illuminated bezel will turn on for 60 seconds.

Bolt Illuminated Charge Port Housing Package

IR 040C17

PART NO.

84376510

SHEET **20** OF **33**

ALL INFORMATION WITHIN ABOVE BORDER TO BE PRINTED EXACTLY AS SHOWN ON 8.5 x 11 WHITE 16 POUND NON-BOND RECYCLABLE PAPER. PRINT ON BOTH SIDES, EXCLUDING TEMPLATES. TO BE UNITIZED IN ACCORDANCE WITH GM SPECIFICATIONS.

DATE	REVISION	AUTH	DR
040C17	Initial Release - Bettina Morris	2675346	

TITLE
INSTALLATION INSTRUCTIONS
Bolt Illuminated Charge Port Housing Package
PART NO. 84376510 SHEET 20 OF 33

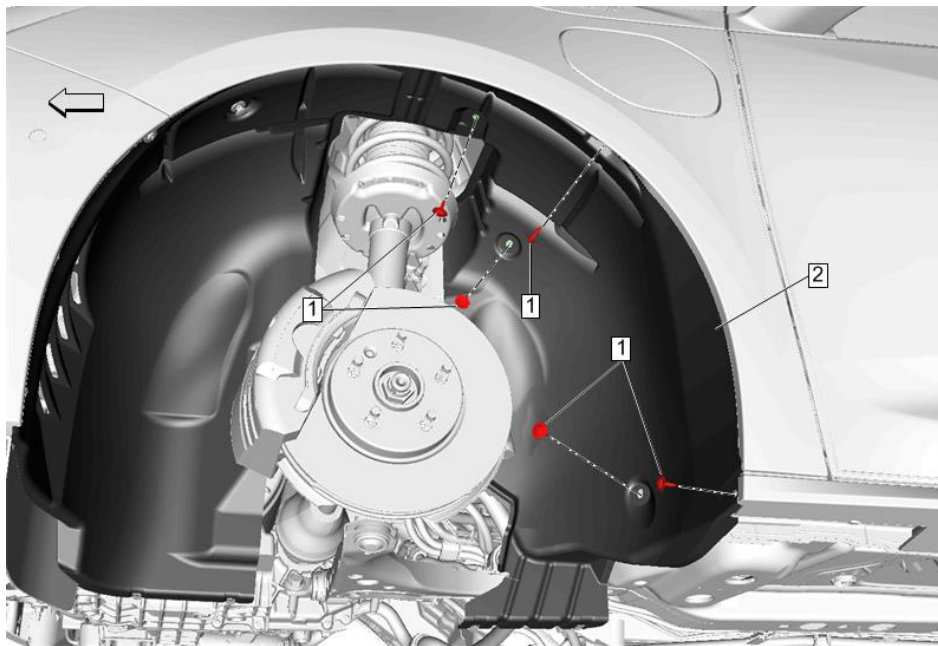
The illuminated charge port will function as follows when a charge cord is attached:

- The light stays on for 6 seconds while the system initializes and then will begin to flash to indicate charge status.
- Initial – Light On
- 0-25% – 1 Blink
- 25-50% – 2 Blinks
- 50-75% – 3 Blinks
- 75-100% – 4 Blinks
- 100% – Light Off after 60 seconds of unblinking illumination
- When the charge cord is unplugged after a complete, or partial charge event, the light will turn on for 60 seconds.

Note: The dashboard charge state lamp and the charge port light work identically as above EXCEPT for the full charge state, the dashboard lamp remains illuminated and unblinking even after the 60 second time out by door lamp.

35. Charge Port / Charge Station Coupler Test – Required to ensure that the vehicle charges properly after the accessory installation.

- Insert the charge station coupler into the vehicle charge port. Listen for a click indicating coupler is fully seated.
- Verify full insertion of the charge station coupler by pulling lightly on coupler. Ensure charge station coupler cannot be removed without disengaging the latch on the coupler.
- Check that the vehicle is charging and that the charge port light is indicating the state of charge as described above.
- Check accessory bezel to assure proper seating adjustment as necessary.



Caution: Use the correct fastener in the correct location. Replacement fasteners must be the correct part number for that application. Fasteners requiring replacement or fasteners requiring the use of thread locking compound or sealant are identified in the service procedure. Do not use paints, lubricants, or corrosion inhibitors on fasteners or fastener joint surfaces unless specified. These coatings affect fastener torque and joint clamping force and may damage the fastener. Use the correct tightening sequence and specifications when installing fasteners in order to avoid damage to parts and systems.

36. Reposition the wheel house liner and install the fasteners (1) holding the rear half of the left front wheel house liner (2).

Tighten

Tighten the wheel house liner fasteners to **2.5 Nm (22 lb in)**.

Bolt Illuminated Charge Port Housing Package

IR 040C17

PART NO.

84376510

SHEET

21 OF **33**

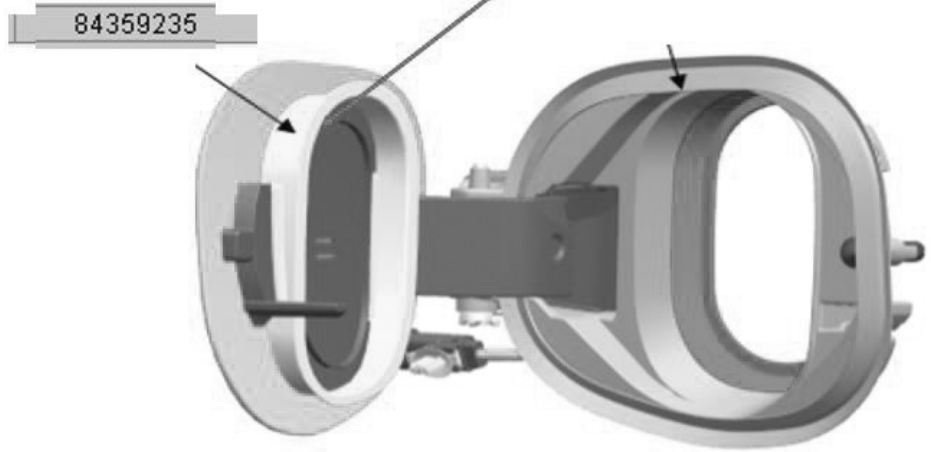
ALL INFORMATION WITHIN ABOVE BORDER TO BE PRINTED EXACTLY AS SHOWN ON 8.5 x 11 WHITE 16 POUND NON-BOND RECYCLABLE PAPER. PRINT ON BOTH SIDES, EXCLUDING TEMPLATES. TO BE UNITIZED IN ACCORDANCE WITH GM SPECIFICATIONS.

DATE	REVISION	AUTH	DR
040C17	Initial Release - Bettina Morris	2675346	

TITLE
INSTALLATION INSTRUCTIONS
Bolt Illuminated Charge Port Housing Package
PART NO. 84376510
SHEET 21 OF 33

- 37. Reinstall the left front wheel and tire assembly. Refer to Vehicle Service Manual.
- 38. Remove the production charge port door and remove the production seal on the inner surface of the production charge port door per vehicle service procedures.
- 39. Place with the replacement door seal, 84359235, from the kit onto the door and reassemble door.

A replacement seal for the production seal on the Bolt charge port door (needed because the lighted charge port compresses the production bezel too much).



- 40. Reassemble the car.
- 41. Flash the BCM to turn on the bit that lights the port.
- 42. Replace the production DC cover on the production charge receptacle with the components from Service Kit 24290558. The production charging coupler from an AC/DC charging station will not seat correctly without this replacement.

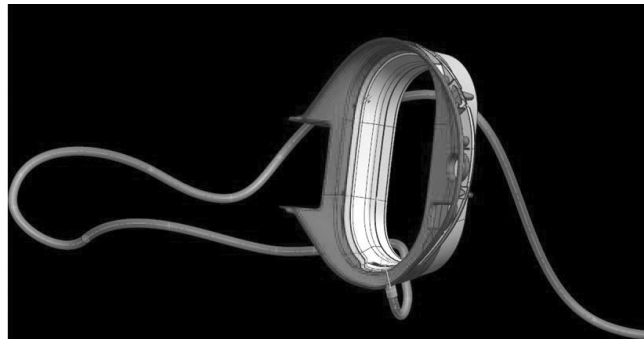
ALL INFORMATION WITHIN ABOVE BORDER TO BE PRINTED EXACTLY AS SHOWN ON 8.5 x 11 WHITE 16 POUND NON-BOND RECYCLABLE PAPER. PRINT ON BOTH SIDES, EXCLUDING TEMPLATES. TO BE UNITIZED IN ACCORDANCE WITH GM SPECIFICATIONS.	DATE	REVISION	AUTH	DR	TITLE		
	040C17	Initial Release - Bettina Morris	2675346		INSTALLATION INSTRUCTIONS Bolt Illuminated Charge Port Housing Package	PART NO.	84376510
						SHEET	22 OF 33

Bolt Illuminated Charge Port Housing Package Installation

Bolt Illuminated Charge Port Kit: 84359233

Part Number Bolt Kit Contents

Quantity	Part Number	Description
1	84359234	Bezel Assembly with Wire Harness Pigtail ending in terminals
1	84359236	Drill Template for accessory installation
1	84376510	Instruction – Illuminated Bezel Assembly Install
1	84359235	Replacement Door Seal
8	11509036	Tie straps to secure the pigtail
2	12365938	Solvent wipes



Special Tools Required

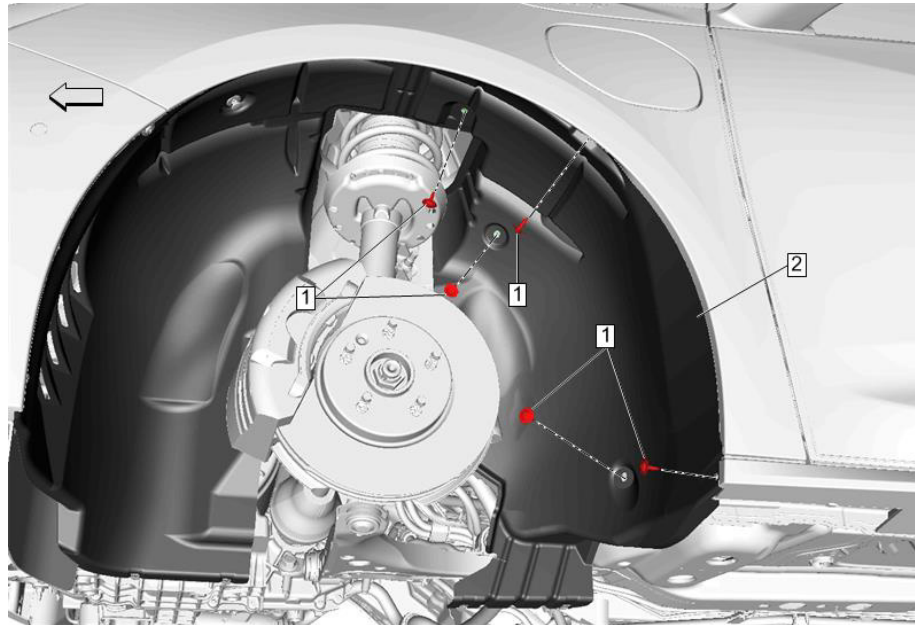
- Vinyl Tape (19mm)
- Electrical connector terminal pick
- Plastic Wedge Trim Tool

Procedure

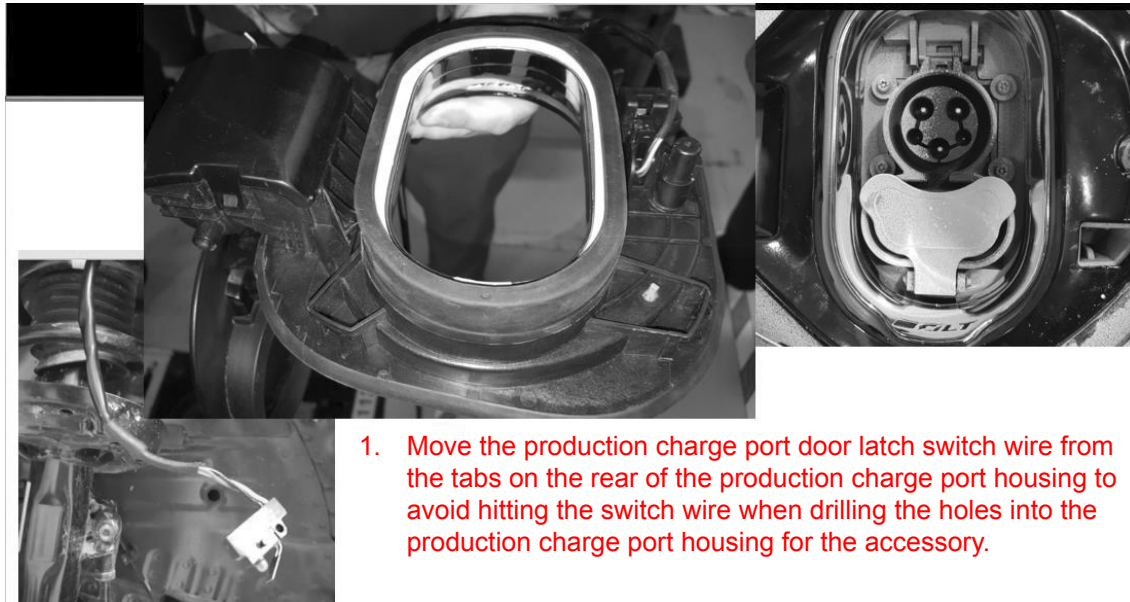
Note:

1. Read all instructions before performing procedure.
2. Inspect KIT to verify all parts are included.
3. Turn OFF the vehicle.
4. Disconnect the 12 Volt battery. Refer to Vehicle Service Manual.
5. Remove the left front wheel and tire assembly. Refer to Vehicle Service Manual.

DATE	REVISION	AUTH	DR
040C17	Initial Release - Bettina Morris	2675346	



- 6. Remove the fasteners (1) holding the rear half of the left front wheel house liner (2).
- 7. Position the wheel house liner enough to view and access the rear of the charge port.
- 8. Open the charge port door.
- 9. Open the hood.



- 1. Move the production charge port door latch switch wire from the tabs on the rear of the production charge port housing to avoid hitting the switch wire when drilling the holes into the production charge port housing for the accessory.

- 10. Move the production charge port door latch switch wire from the tabs on the rear of the production charge port housing to avoid hitting the switch wire when drilling the holes into the production charge port housing for the accessory.

Bolt Illuminated Charge Port Housing Package

IR 040C17

PART NO.

84376510

SHEET

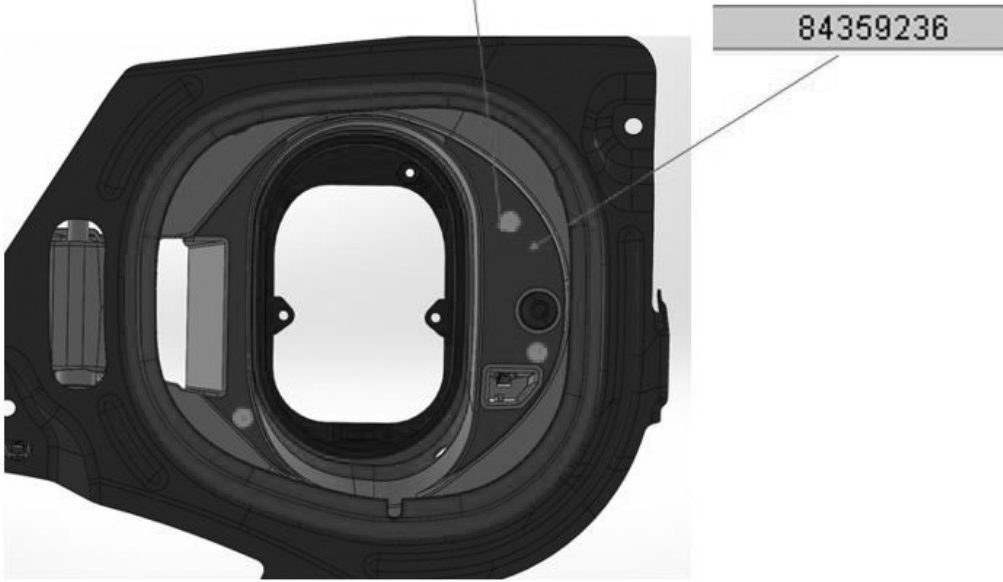
24 OF 33

ALL INFORMATION WITHIN ABOVE BORDER TO BE PRINTED EXACTLY AS SHOWN ON 8.5 x 11 WHITE 16 POUND NON-BOND RECYCLABLE PAPER. PRINT ON BOTH SIDES, EXCLUDING TEMPLATES. TO BE UNITIZED IN ACCORDANCE WITH GM SPECIFICATIONS.

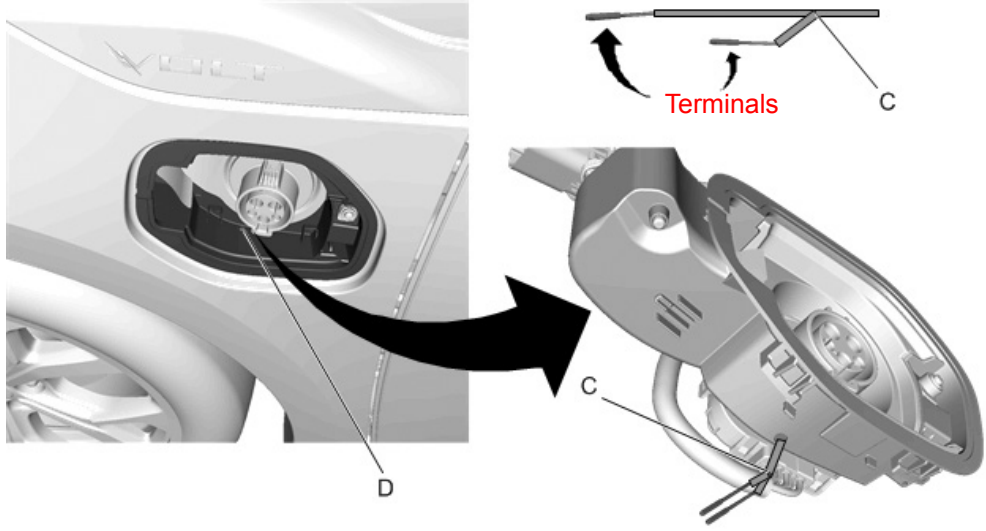
DATE	REVISION	AUTH	DR
040C17	Initial Release - Bettina Morris	2675346	

TITLE
INSTALLATION INSTRUCTIONS
Bolt Illuminated Charge Port Housing Package
PART NO. 84376510
SHEET 24 OF 33

The kit will include a template as shown in brown that the dealer will lay on top of the production charge port to drill holes into the production charge port for the accessory lighted charge port attachments.



11. Drill the holes in the production charge port housing by locating the accessory drill template onto the housing. First, use a pilot bit to drill 2 mm holes (with a horizontal axis) for each of the 3 attachment features on the illuminated charge port and for the 1 hole (with a vertical axis) for the illuminated charge port wire pigtail. Then, leave the template on the housing and drill the 5 mm holes (final dimension) for the 3 attachment features and the 8 mm hole (final dimension) for the wires.



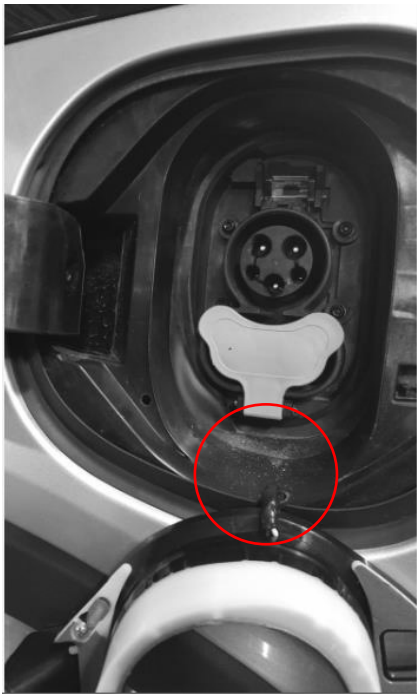
12. Stagger terminals on Bezel Assembly Pigtail (C) and route through drain hole one at a time, (D) approximately 50.0 mm taking care not to damage terminals.

ALL INFORMATION WITHIN ABOVE BORDER TO BE PRINTED EXACTLY AS SHOWN ON 8.5 x 11 WHITE 16 POUND NON-BOND RECYCLABLE PAPER. PRINT ON BOTH SIDES, EXCLUDING TEMPLATES. TO BE UNITIZED IN ACCORDANCE WITH GM SPECIFICATIONS.

DATE	REVISION	AUTH	DR
040C17	Initial Release - Bettina Morris	2675346	



13. Feed accessory pigtail wires through the 8mm hole.



Bolt Illuminated Charge Port Housing Package

IR 040C17

PART NO.

84376510

SHEET

26

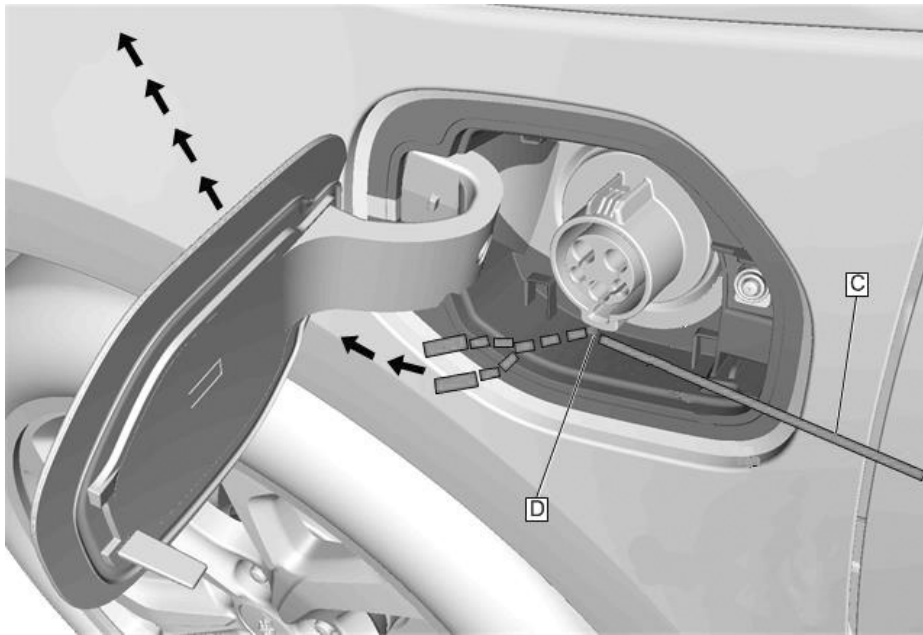
OF

33

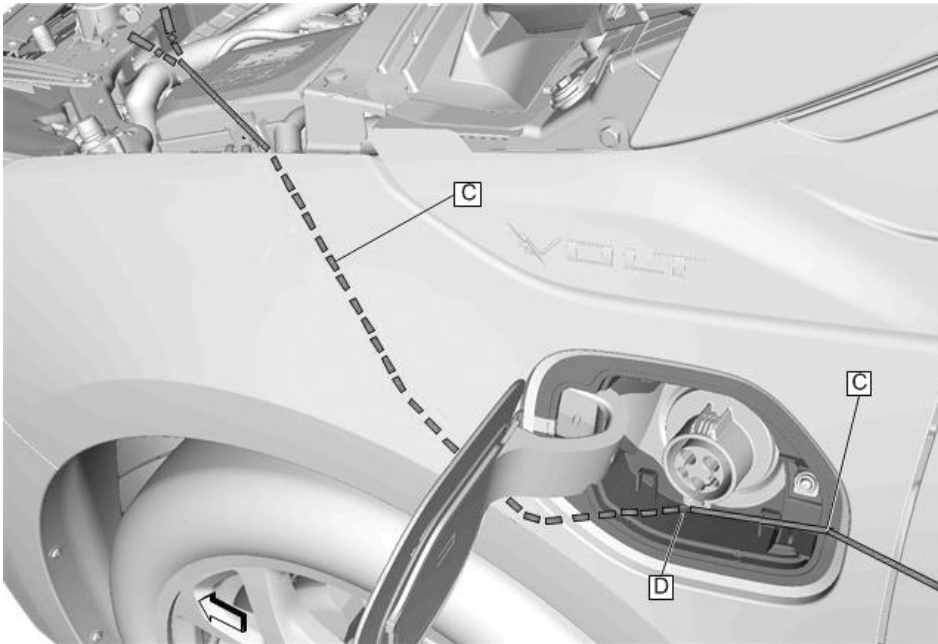
ALL INFORMATION WITHIN ABOVE BORDER TO BE PRINTED EXACTLY AS SHOWN ON 8.5 x 11 WHITE 16 POUND NON-BOND RECYCLABLE PAPER. PRINT ON BOTH SIDES, EXCLUDING TEMPLATES. TO BE UNITIZED IN ACCORDANCE WITH GM SPECIFICATIONS.

DATE	REVISION	AUTH	DR
040C17	Initial Release - Bettina Morris	2675346	

TITLE		INSTALLATION INSTRUCTIONS	
		Bolt Illuminated Charge Port Housing Package	
PART NO.	84376510	SHEET	26
		OF	33



14. Through the wheel well access the wire harness as it exits the 8 mm drilled hole (D), pull the harness (C) fully through the drain hole.



15. Continue to pull the wire harness until it is visible between quarter panel outer and upper rail.

16. Assure bezel pigtail has been routed through drilled hole (D) and there is no slack, but with no strain on the accessory housing at the wire exit point.

Bolt Illuminated Charge Port Housing Package

IR 040C17

PART NO.

84376510

SHEET **27** OF **33**

ALL INFORMATION WITHIN ABOVE BORDER TO BE PRINTED EXACTLY AS SHOWN ON 8.5 x 11 WHITE 16 POUND NON-BOND RECYCLABLE PAPER. PRINT ON BOTH SIDES, EXCLUDING TEMPLATES. TO BE UNITIZED IN ACCORDANCE WITH GM SPECIFICATIONS.

DATE	REVISION	AUTH	DR
040C17	Initial Release - Bettina Morris	2675346	

TITLE
INSTALLATION INSTRUCTIONS
Bolt Illuminated Charge Port Housing Package
PART NO. 84376510
SHEET 27 OF 33



17. Remove the battery and battery tray via service procedures.



18. Move aside the ECM and the current meter via service procedures.

19. Remove the connector protector on the connection between engine harness and the body harness.

20. Disconnect the connection between engine harness and the body harness.

21. Remove the standard seals body connector cavities.

Bolt Illuminated Charge Port Housing Package

IR 040C17

PART NO.

84376510

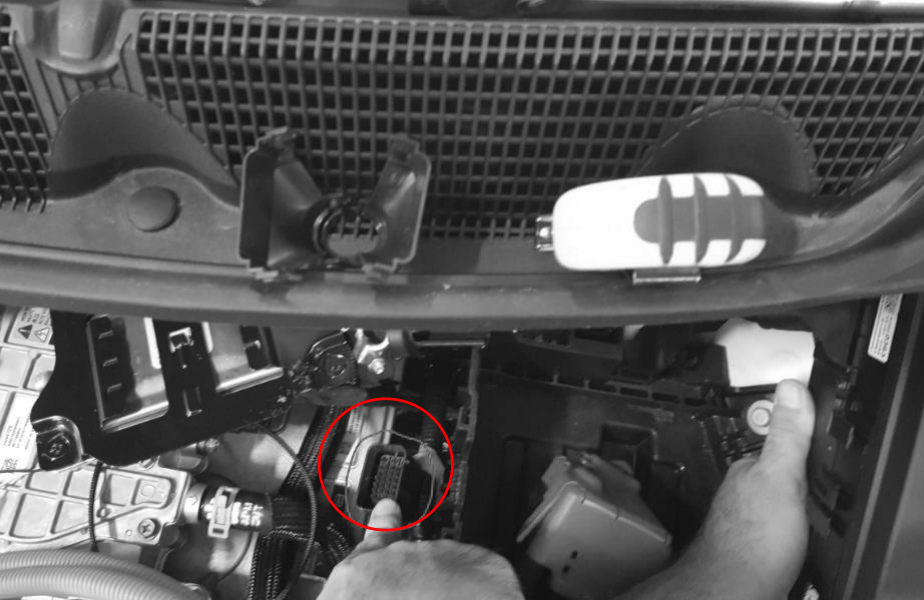
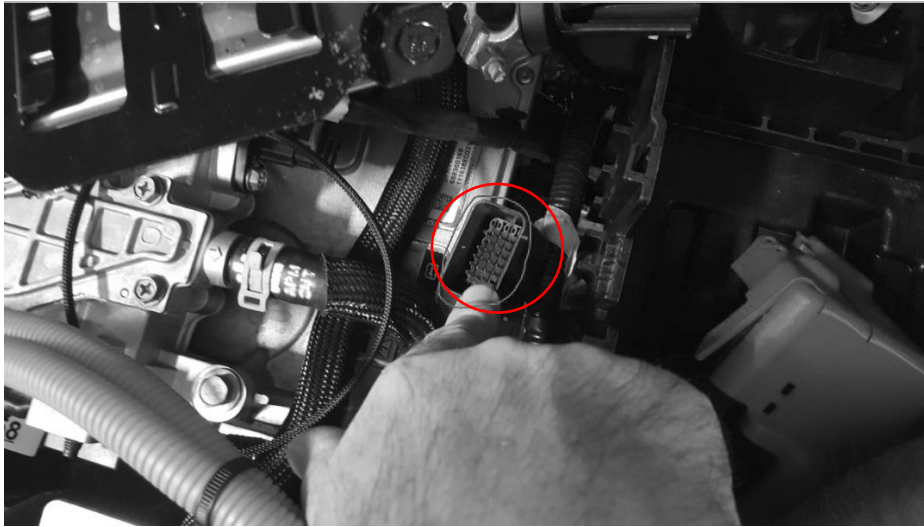
SHEET

28 OF 33

ALL INFORMATION WITHIN ABOVE BORDER TO BE PRINTED EXACTLY AS SHOWN ON 8.5 x 11 WHITE 16 POUND NON-BOND RECYCLABLE PAPER. PRINT ON BOTH SIDES, EXCLUDING TEMPLATES. TO BE UNITIZED IN ACCORDANCE WITH GM SPECIFICATIONS.

DATE	REVISION	AUTH	DR
040C17	Initial Release - Bettina Morris	2675346	

TITLE
INSTALLATION INSTRUCTIONS
Bolt Illuminated Charge Port Housing Package
PART NO. 84376510
SHEET 28 OF 33



Note: Verify correct terminal orientation prior to inserting terminal.

Bolt Illuminated Charge Port Housing Package

IR 040C17

PART NO.

84376510

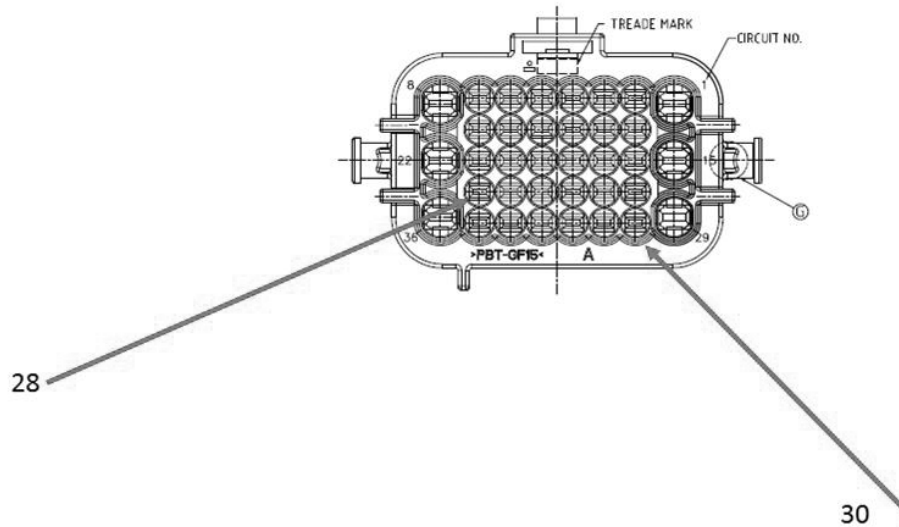
SHEET

29 OF **33**

ALL INFORMATION WITHIN ABOVE BORDER TO BE PRINTED EXACTLY AS SHOWN ON 8.5 x 11 WHITE 16 POUND NON-BOND RECYCLABLE PAPER. PRINT ON BOTH SIDES, EXCLUDING TEMPLATES. TO BE UNITIZED IN ACCORDANCE WITH GM SPECIFICATIONS.

DATE	REVISION	AUTH	DR
040C17	Initial Release - Bettina Morris	2675346	

TITLE
INSTALLATION INSTRUCTIONS
Bolt Illuminated Charge Port Housing Package
PART NO. 84376510
SHEET 29 OF 33



22. Remove the standard seals body connector cavities.

23. Cavity 28 is for the ground terminal; insert the black wire pigtail terminal. Cavity 30 is for the power terminal; insert the white wire pigtail terminal.

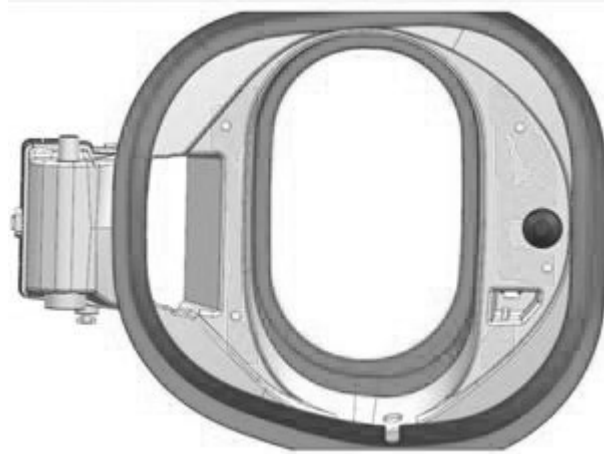
24. Route our wires to the connector and insert the terminals.

25. Replace the connector protector on the connection between engine harness and the body harness.

26. Use the tie straps to fasten the accessory pigtail to the vehicle at approximately 100 mm increments.

Note: Ensure that the production charge port housing rear shroud is seated behind the receptacle so that the shroud cannot interfere with the seating of the charge station coupler. Use the Plastic Wedge Trim Tool to adjust the shroud as needed.

27. Clean the production charge port housing surface with the solvent wipes.



Bolt Illuminated Charge Port Housing Package

IR 040C17

PART NO.

84376510

SHEET

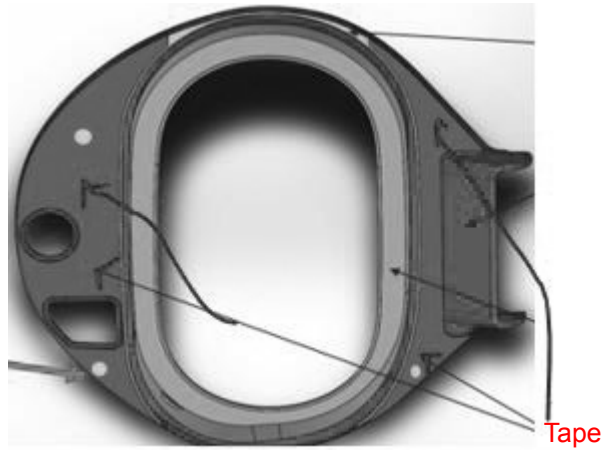
30 OF **33**

ALL INFORMATION WITHIN ABOVE BORDER TO BE PRINTED EXACTLY AS SHOWN ON 8.5 x 11 WHITE 16 POUND NON-BOND RECYCLABLE PAPER. PRINT ON BOTH SIDES, EXCLUDING TEMPLATES. TO BE UNITIZED IN ACCORDANCE WITH GM SPECIFICATIONS.

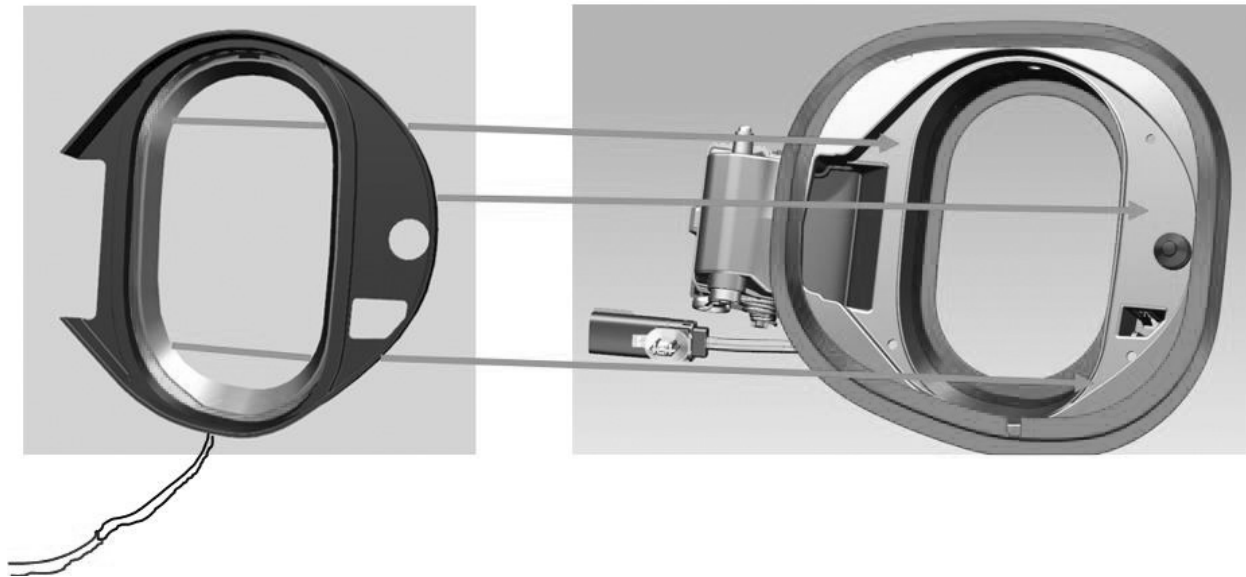
DATE	REVISION	AUTH	DR
040C17	Initial Release - Bettina Morris	2675346	

TITLE
INSTALLATION INSTRUCTIONS Bolt Illuminated Charge Port Housing Package
PART NO. 84376510 SHEET 30 OF 33

28. Remove the horizontal tape on the back of the accessory (shown in brown).



29. Seat bezel assembly into charge port housing by aligning the three bezel posts to housing 5mm drilled holes.



Note: Do not remove secured tape on back of housing.

Note: Install the illuminated bezel carefully. Do not pinch wire when installing, tuck wires out of the way of snap posts before seating.

30. Flash the BCM to turn on the bit that lights the illuminated charge port.

31. Test the system to ensure it is installed properly:

32. 1 Reconnect the 12 volt battery.

33. 2 Turn on the vehicle.

34. 3 With the vehicle "ON", open the charge port door. The illuminated bezel will turn on for 60 seconds.

Bolt Illuminated Charge Port Housing Package

IR 040C17

PART NO.

84376510

SHEET

31 OF **33**

ALL INFORMATION WITHIN ABOVE BORDER TO BE PRINTED EXACTLY AS SHOWN ON 8.5 x 11 WHITE 16 POUND NON-BOND RECYCLABLE PAPER. PRINT ON BOTH SIDES, EXCLUDING TEMPLATES. TO BE UNITIZED IN ACCORDANCE WITH GM SPECIFICATIONS.

DATE	REVISION	AUTH	DR
040C17	Initial Release - Bettina Morris	2675346	

TITLE		INSTALLATION INSTRUCTIONS	
		Bolt Illuminated Charge Port Housing Package	
PART NO.	84376510	SHEET	31 OF 33

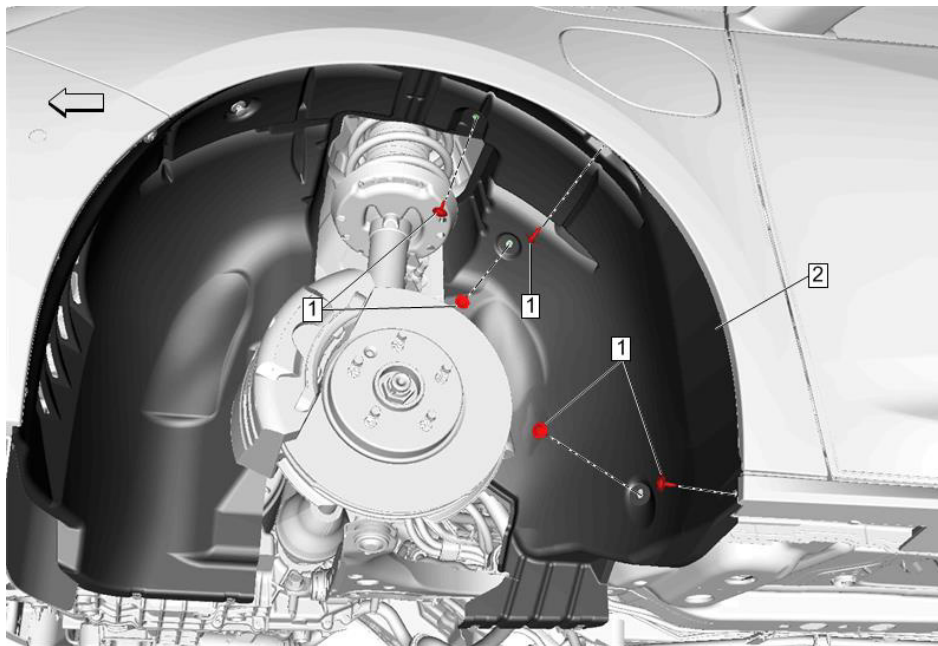
The illuminated charge port will function as follows when a charge cord is attached:

- The light stays on for 6 seconds while the system initializes and then will begin to flash to indicate charge status.
- Initial – Light On
- 0-25% – 1 Blink
- 25-50% – 2 Blinks
- 50-75% – 3 Blinks
- 75-100% – 4 Blinks
- 100% – Light Off after 60 seconds of unblinking illumination
- When the charge cord is unplugged after a complete, or partial charge event, the light will turn on for 60 seconds.

Note: The dashboard charge state lamp and the charge port light work identically as above EXCEPT for the full charge state, the dashboard lamp remains illuminated and unblinking even after the 60 second time out by door lamp.

35. Charge Port / Charge Station Coupler Test – Required to ensure that the vehicle charges properly after the accessory installation.

- Insert the charge station coupler into the vehicle charge port. Listen for a click indicating coupler is fully seated.
- Verify full insertion of the charge station coupler by pulling lightly on coupler. Ensure charge station coupler cannot be removed without disengaging the latch on the coupler.
- Check that the vehicle is charging and that the charge port light is indicating the state of charge as described above.
- Check accessory bezel to assure proper seating adjustment as necessary.



Caution: Use the correct fastener in the correct location. Replacement fasteners must be the correct part number for that application. Fasteners requiring replacement or fasteners requiring the use of thread locking compound or sealant are identified in the service procedure. Do not use paints, lubricants, or corrosion inhibitors on fasteners or fastener joint surfaces unless specified. These coatings affect fastener torque and joint clamping force and may damage the fastener. Use the correct tightening sequence and specifications when installing fasteners in order to avoid damage to parts and systems.

36. Reposition the wheel house liner and install the fasteners (1) holding the rear half of the left front wheel house liner (2).

Tighten

Tighten the wheel house liner fasteners to **2.5 Nm (22 lb in)**.

Bolt Illuminated Charge Port Housing Package

IR 040C17

PART NO.

84376510

SHEET

32 OF 33

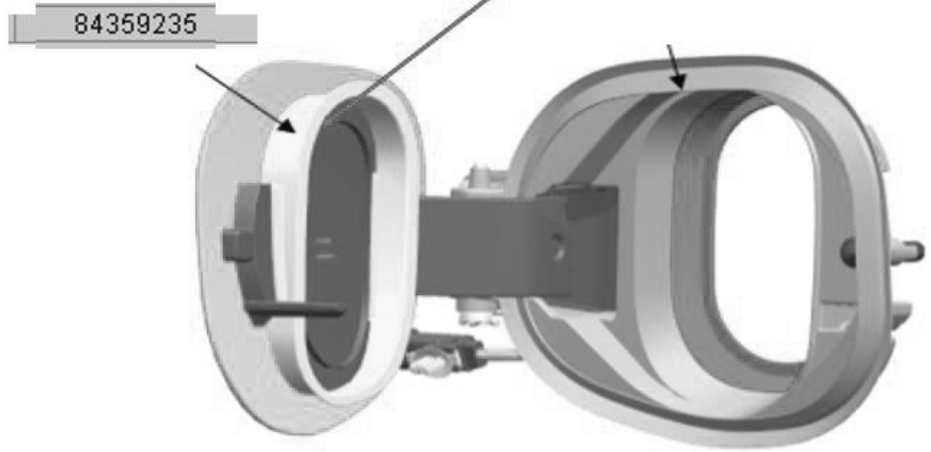
ALL INFORMATION WITHIN ABOVE BORDER TO BE PRINTED EXACTLY AS SHOWN ON 8.5 x 11 WHITE 16 POUND NON-BOND RECYCLABLE PAPER. PRINT ON BOTH SIDES, EXCLUDING TEMPLATES. TO BE UNITIZED IN ACCORDANCE WITH GM SPECIFICATIONS.

DATE	REVISION	AUTH	DR
040C17	Initial Release - Bettina Morris	2675346	

TITLE	INSTALLATION INSTRUCTIONS		
	Bolt Illuminated Charge Port Housing Package		
PART NO.	84376510	SHEET	32 OF 33

- 37. Reinstall the left front wheel and tire assembly. Refer to Vehicle Service Manual.
- 38. Remove the production charge port door and remove the production seal on the inner surface of the production charge port door per vehicle service procedures.
- 39. Place with the replacement door seal, 84359235, from the kit onto the door and reassemble door.

A replacement seal for the production seal on the Bolt charge port door (needed because the lighted charge port compresses the production bezel too much).



- 40. Reassemble the car.
- 41. Flash the BCM to turn on the bit that lights the port.
- 42. Replace the production DC cover on the production charge receptacle with the components from Service Kit 24290558. The production charging coupler from an AC/DC charging station will not seat correctly without this replacement.

Bolt Illuminated Charge Port Housing Package **IR 04OC17** PART NO. **84376510** SHEET **33** OF **33**

ALL INFORMATION WITHIN ABOVE BORDER TO BE PRINTED EXACTLY AS SHOWN ON 8.5 x 11 WHITE 16 POUND NON-BOND RECYCLABLE PAPER. PRINT ON BOTH SIDES, EXCLUDING TEMPLATES. TO BE UNITIZED IN ACCORDANCE WITH GM SPECIFICATIONS.	DATE	REVISION	AUTH	DR	TITLE		
	04OC17	Initial Release - Bettina Morris	2675346		INSTALLATION INSTRUCTIONS Bolt Illuminated Charge Port Housing Package	PART NO.	84376510
						SHEET	33 OF 33