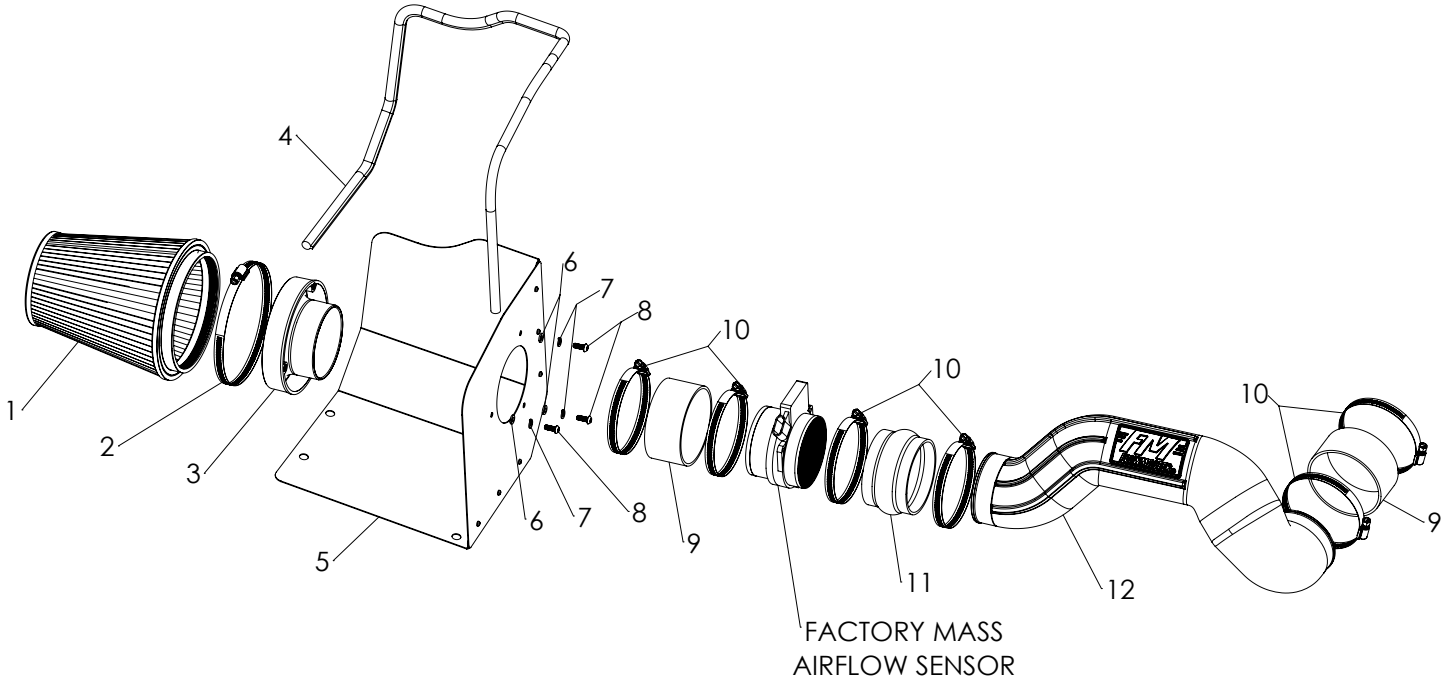




Installation Instructions for: SYSTEM # 615116

1999-2004 CHEVY & GMC 1500 Trucks & SUVs With 4.8L and 5.3L Engines

NOT LEGAL FOR SALE OR USE ON ANY POLLUTION-CONTROLLED MOTOR VEHICLE IN CALIFORNIA OR IN STATES THAT HAVE ADOPTED CALIFORNIA EMISSION PROCEDURES.



REV. 8/10/17

ITEM NO.	PART NUMBER	DESCRIPTION	QTY.
1	AF1001	AIR FILTER, 8-5/8" x 6" DIA	1
2		SCREW CLAMP, #104 (4-1/8" - 7")	1
3	AF6002	ADAPTER, AIR FILTER, 4" x 6"	1
4	49000061	GASKET, HEAT SHIELD	48"
5	AF3002	HEAT SHIELD, 99-04 GM 1500 4.8L, 5.3L	1
6	HW319	FLAT WASHER, M6	3

ITEM NO.	PART NUMBER	DESCRIPTION	QTY.
7	HW318	LOCK WASHER, M6	3
8	HW244	SCREW, M6 x 1.0 x 16MM	3
9	AF4004	COUPLER, STRAIGHT 4" I.D. x 2" L	2
10	MC400H	SCREW CLAMP, #64 (3-9/16" - 4-1/2")	6
11	AF4046	COUPLER, FLEX 3-3/4" I.D. x 2-1/2" L	1
12	AF2027	INTAKE TUBE, 99-04 GM 1500 4.8L, 5.3L	1