

8 7 6 5 4 3 2 1

D

D

C

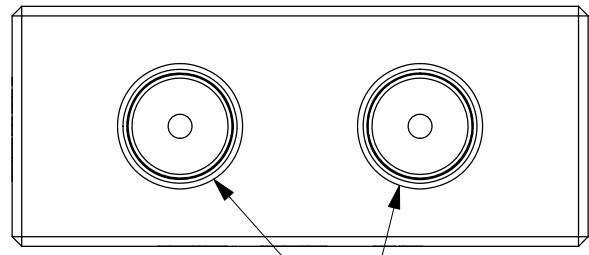
C

B

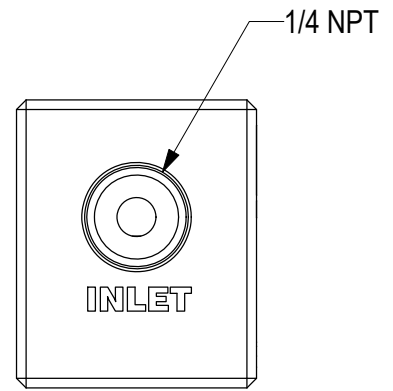
B

A

A

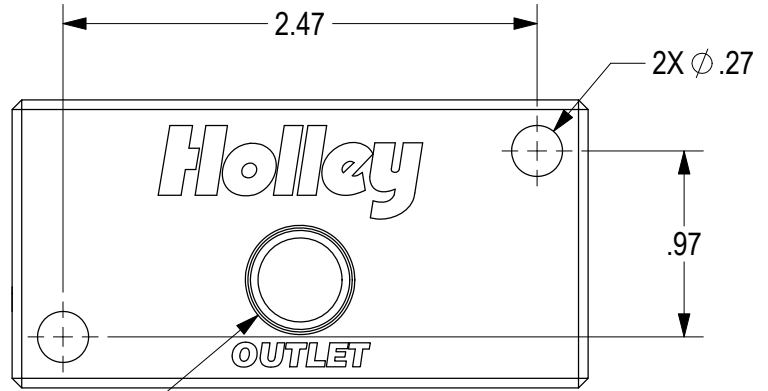


SOLENOID BORES



1/4 NPT

INLET



2.47

2X  $\phi$ .27

.97

Holley

OUTLET

1/4 NPT

8 7 6 5 4 3 2 1