



P/N 20-147 – Cable Bracket for 90 & 95mm Throttle Bodies and Factory or FAST® car style intakes
P/N 20-148 – Cable Bracket for 105mm Throttle Bodies and Factory or FAST® car style intakes

This bracket works with throttle cables from 1998-02 5.7L Camaro and Firebird (GM Part # 12563339). There is also an allowance of a cruise control cable from the same applications (numerous GM Part #s).

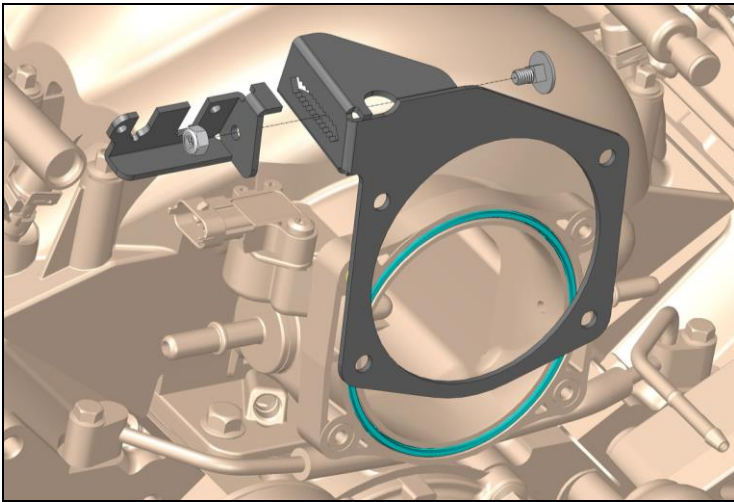


Figure 1

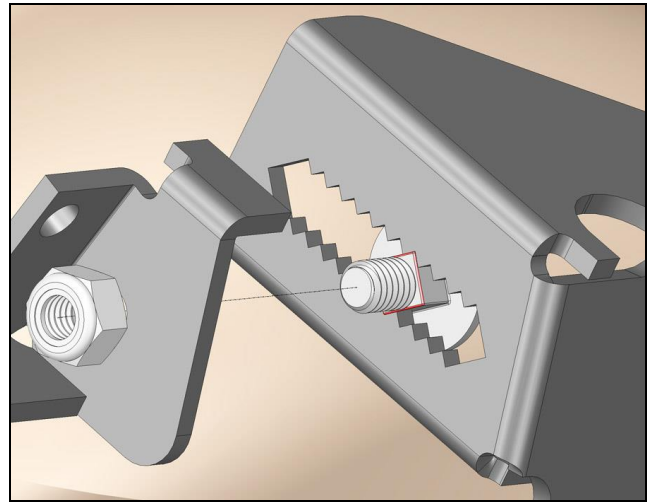


Figure 1a

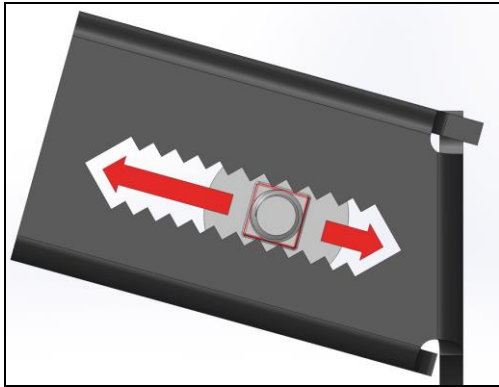


Figure 2 – INCORRECT

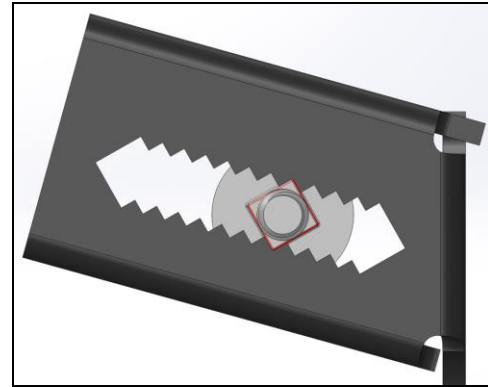


Figure 2a - CORRECT

1. Assemble as shown in **Figure 1**.

WARNING! It is critical that the carriage bolt's square be placed in the bracket's notches as shown in **Figure 2a**. This is a safety precaution to keep the throttle cable in place if the lock-nut were to ever loosen. If the bolt's square is rotated to slide in the slot, serious injury or death could occur while in use.

2. Use the original O-ring intake gasket between the intake and bracket plate.

NOTE: If the intake has been custom ported to fully utilize the throttle body bore and the o-ring cannot be used, there is an additional gasket supplied to seal to the intake.

3. Use the supplied gasket between the bracket plate and throttle body (**Figure 3**).

4. The slotted brackets allow for adjustment to different pedal positions and to compensate for an addition of a nitrous oxide plate (**Figure 1a**).

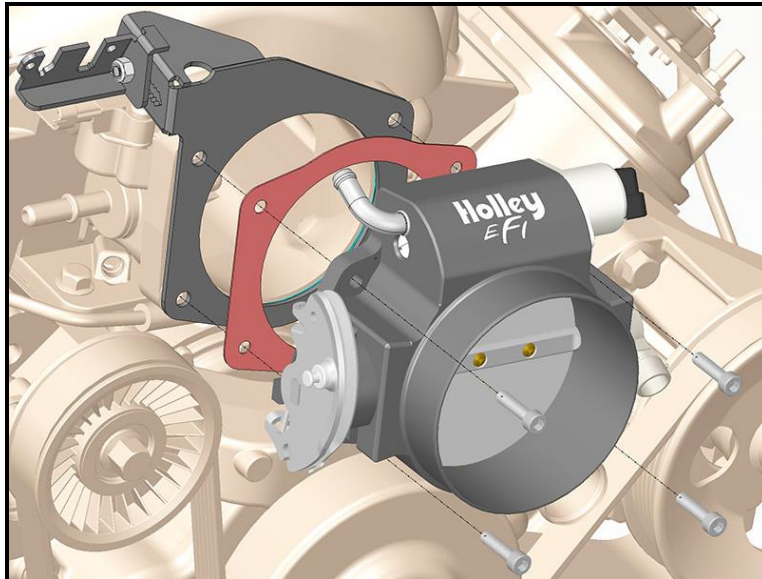


Figure 3

5. Torque all supplied bolts to 10 Nm (89 in./lbs.).

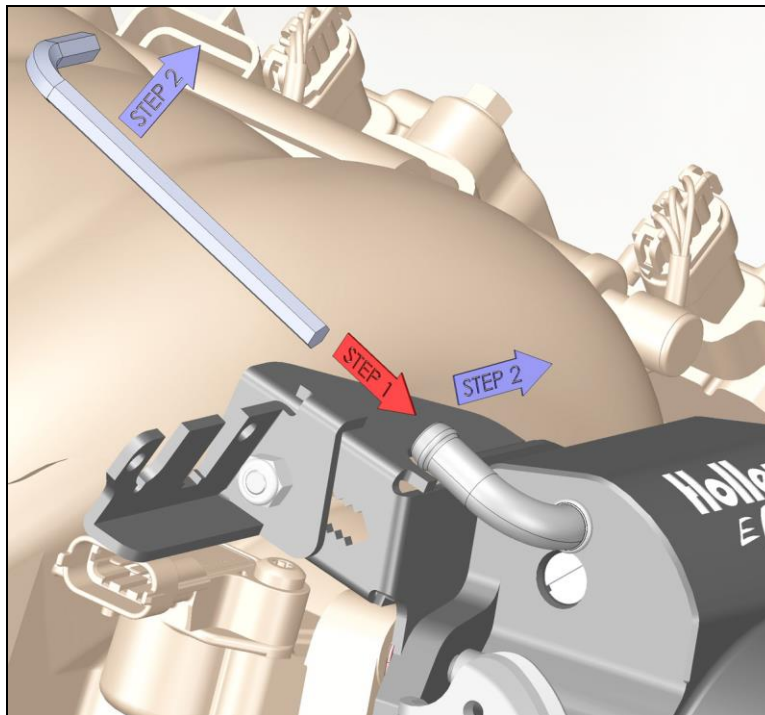


Figure 4

6. If the throttle body PCV tube needs to be repositioned (**Figure 4**), insert a 7/32 hex key into the tube (**STEP 1**) and then push both in towards the throttle body and up as needed (**STEP 2**).

Holley® Performance Products
1801 Russellville Road, Bowling Green, KY 42101
1-270-781-9741, 1-866-464-6553, or www.holley.com

© 2013 Holley Performance Products, Inc. All rights reserved.

199R10673

Revision Date: 5-1-15